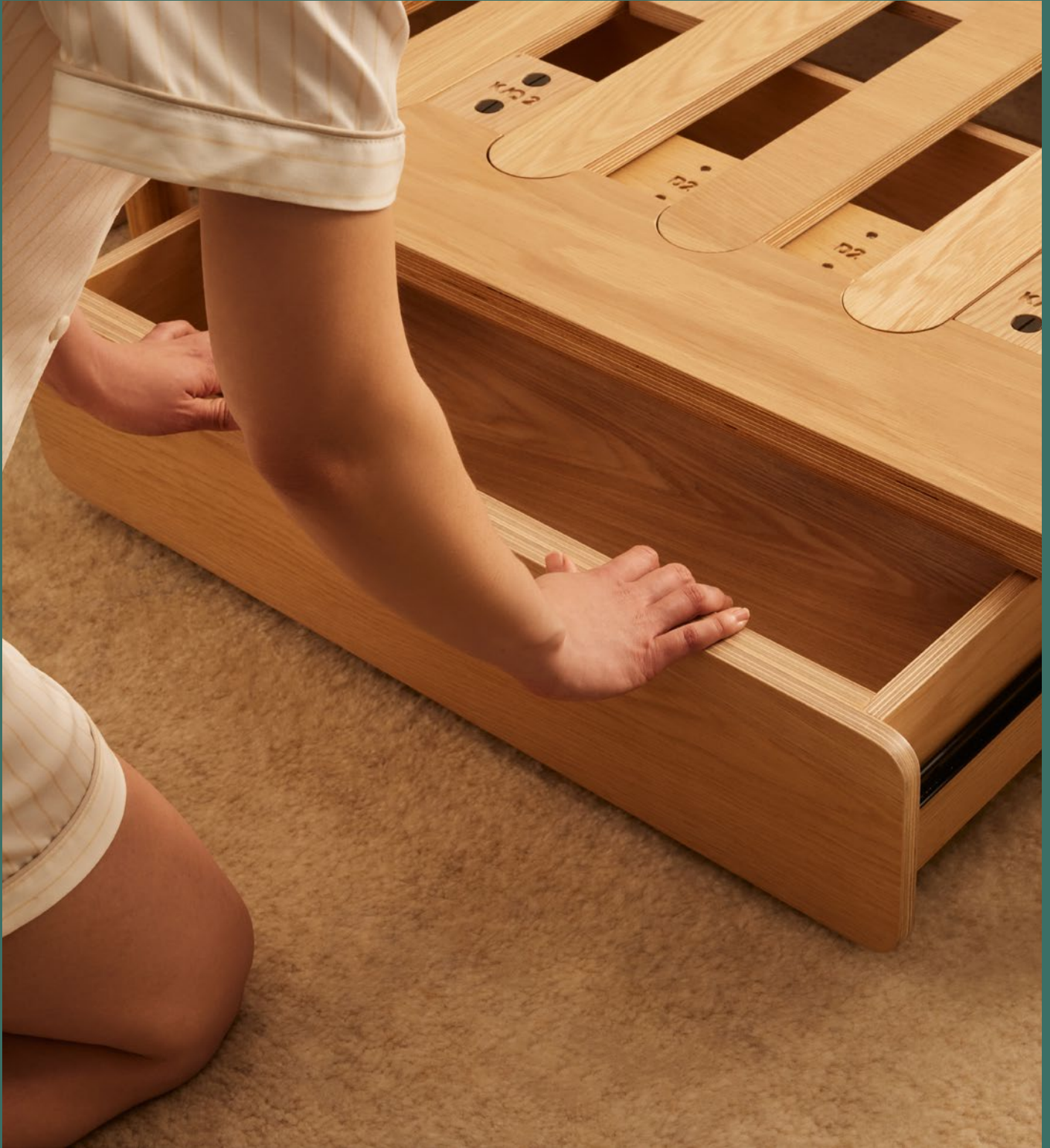


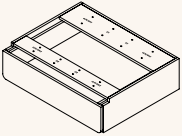
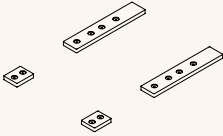
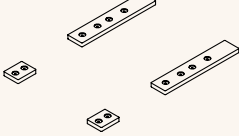
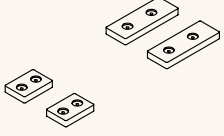
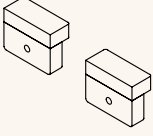
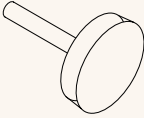
A guide to your Kino Storage Drawer



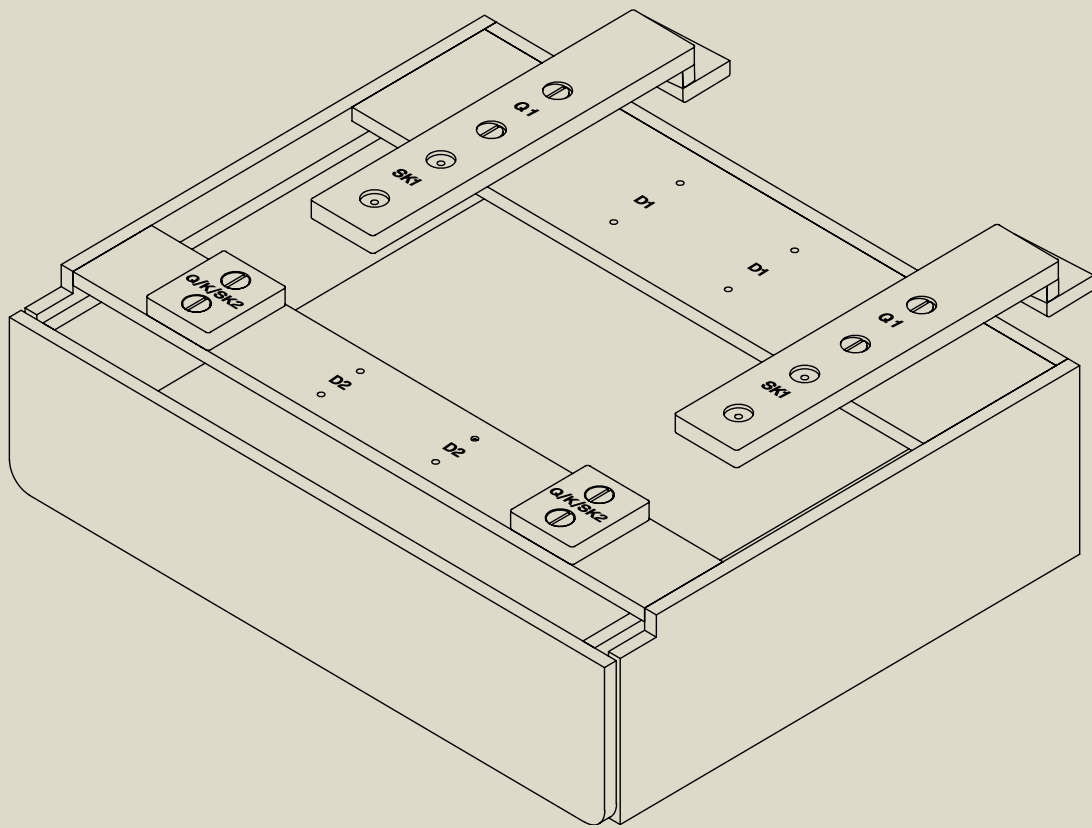
Life's better together.
Please assemble
with two people.



What comes with your Kino Storage Drawer.

<p>1x Storage unit</p> 	<p>1x Queen/ super king slats</p> 	<p>1x King slats</p> 	<p>1x Double slats</p> 	<p>1x Double tilt blocks</p> 
<p>6x Coin screws</p> 				

Let's assemble your Kino Storage Drawer.

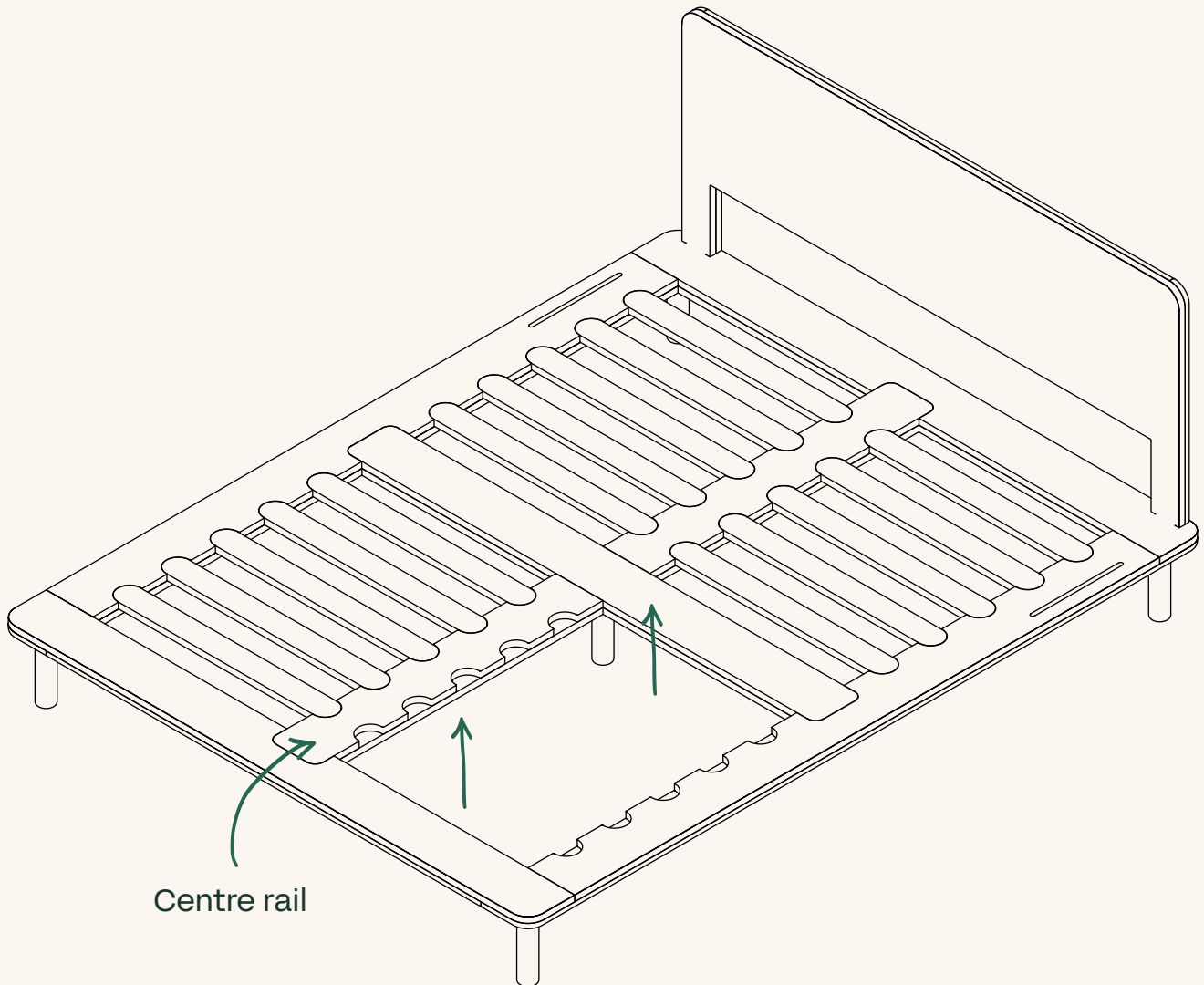


PROGRESS



STEP 1

Start by removing a few slats to make space for your Kino Storage Drawer.



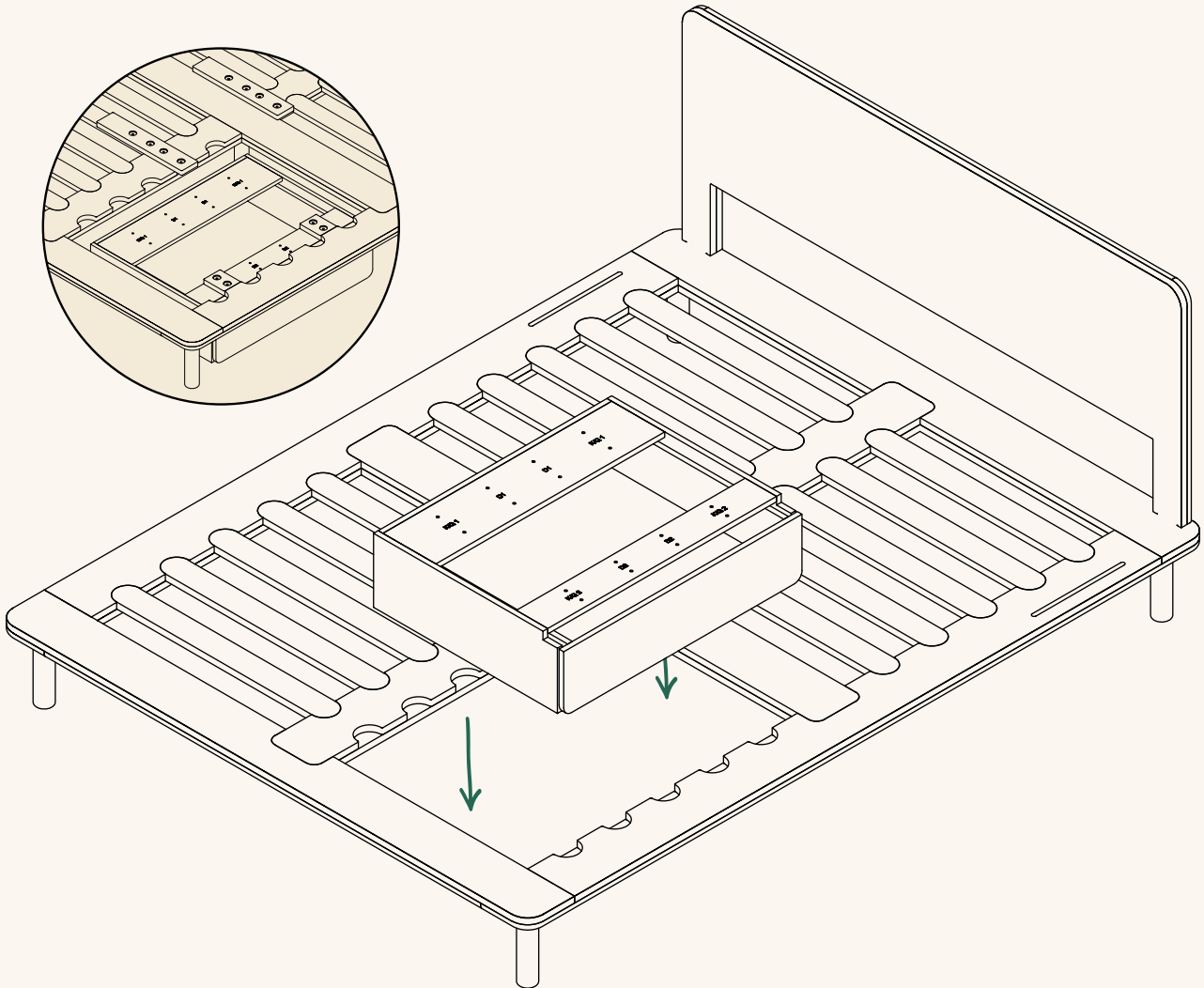
Tip: If you have a double bed, you'll need to remove all slats and the centre rail to install your Kino Storage Drawer.

PROGRESS



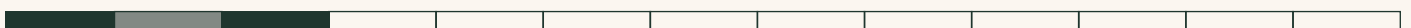
STEP 2

Gently lower your Kino Storage Drawer into the bed frame.



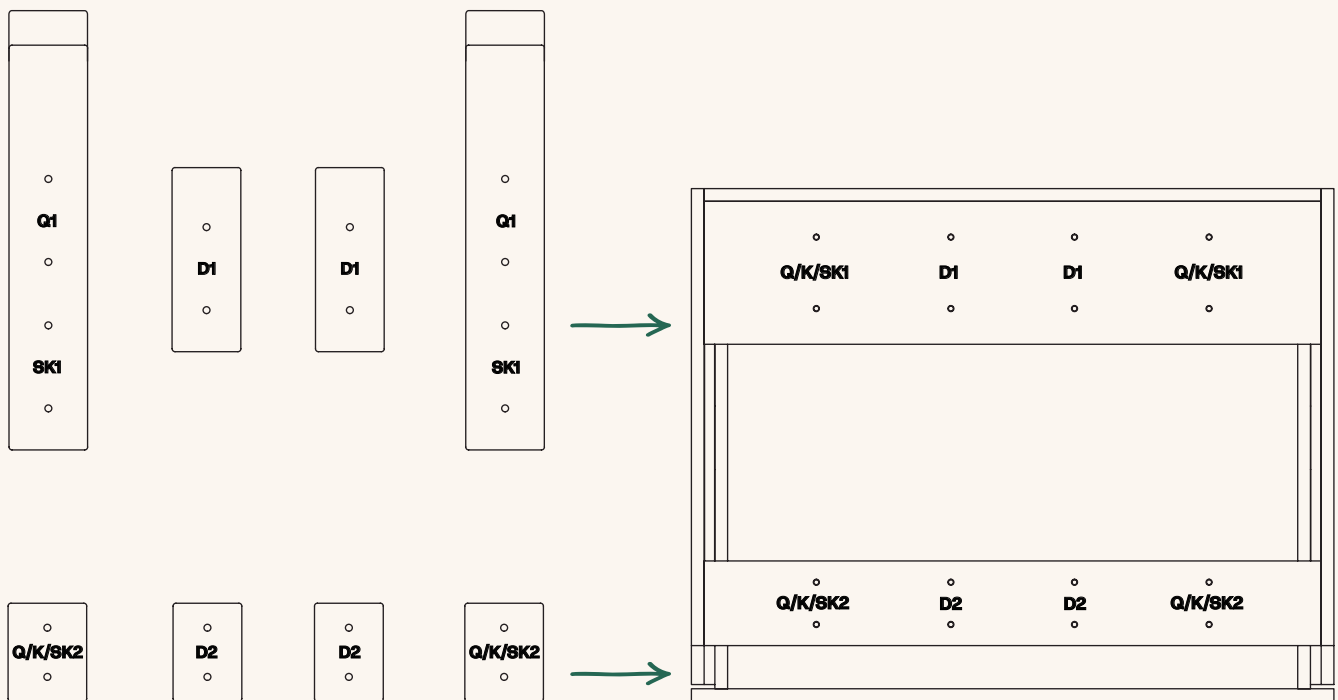
Tip: For easier installation, place hands on the outside of the unit and have one person guide one side while another guides the other side.

PROGRESS



STEP 3

Select the appropriate slats to install onto your Kino Storage Drawer unit.



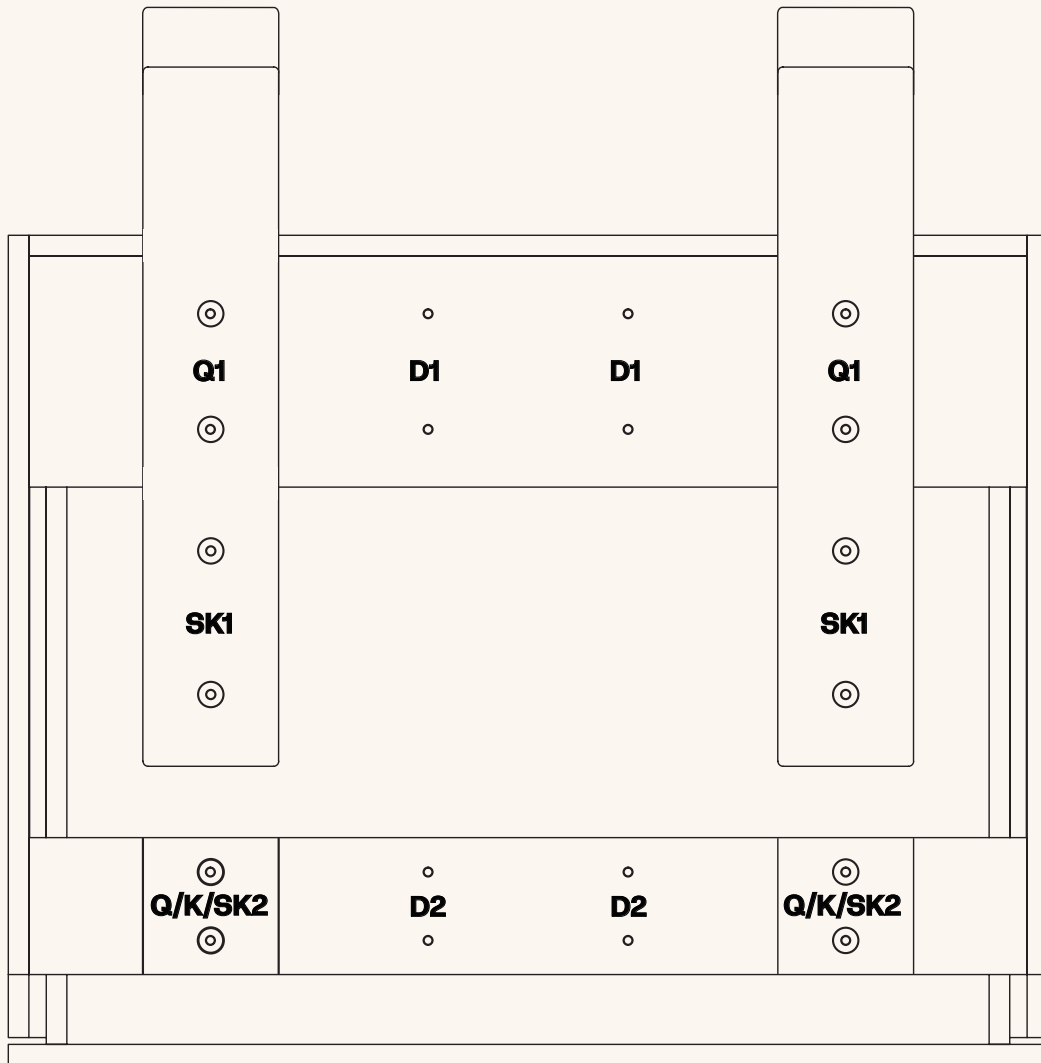
Tip: Look for the letters engraved on both the slats and your Kino Storage Drawer unit. Match these letters to create a configuration appropriate for your bed frame size: “Q” for Queen “K” for King “SK” for Super King “D” for Double.

PROGRESS



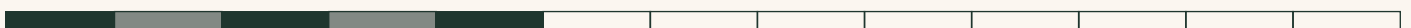
Queen Configuration

If you have a Queen bed frame, install the slats like this.



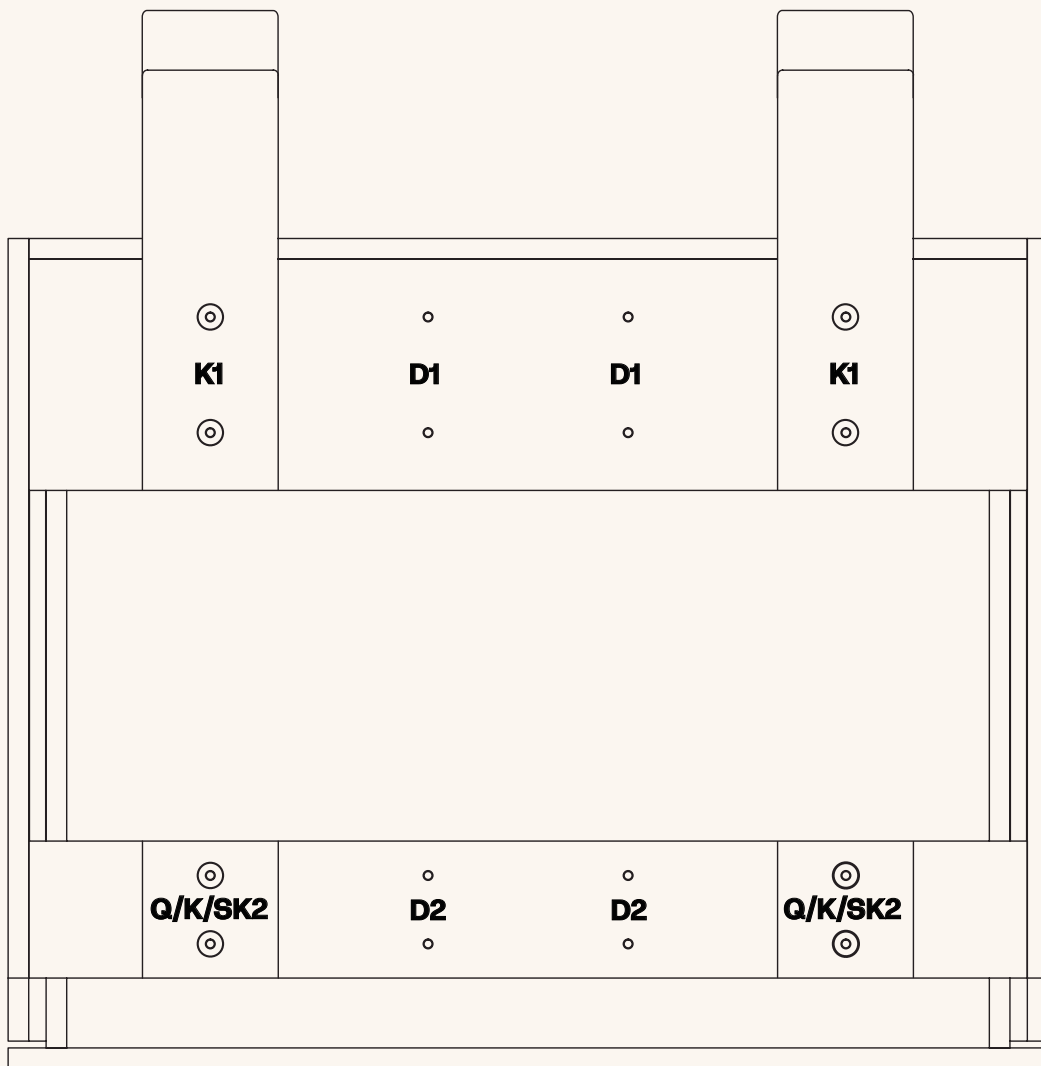
Tip: The Queen sized slats have Q1 and Q/K/SK2 engraved on them.

PROGRESS



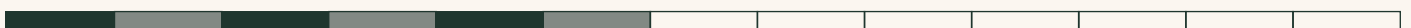
King Configuration

If you have a King bed frame, install the slats like this.



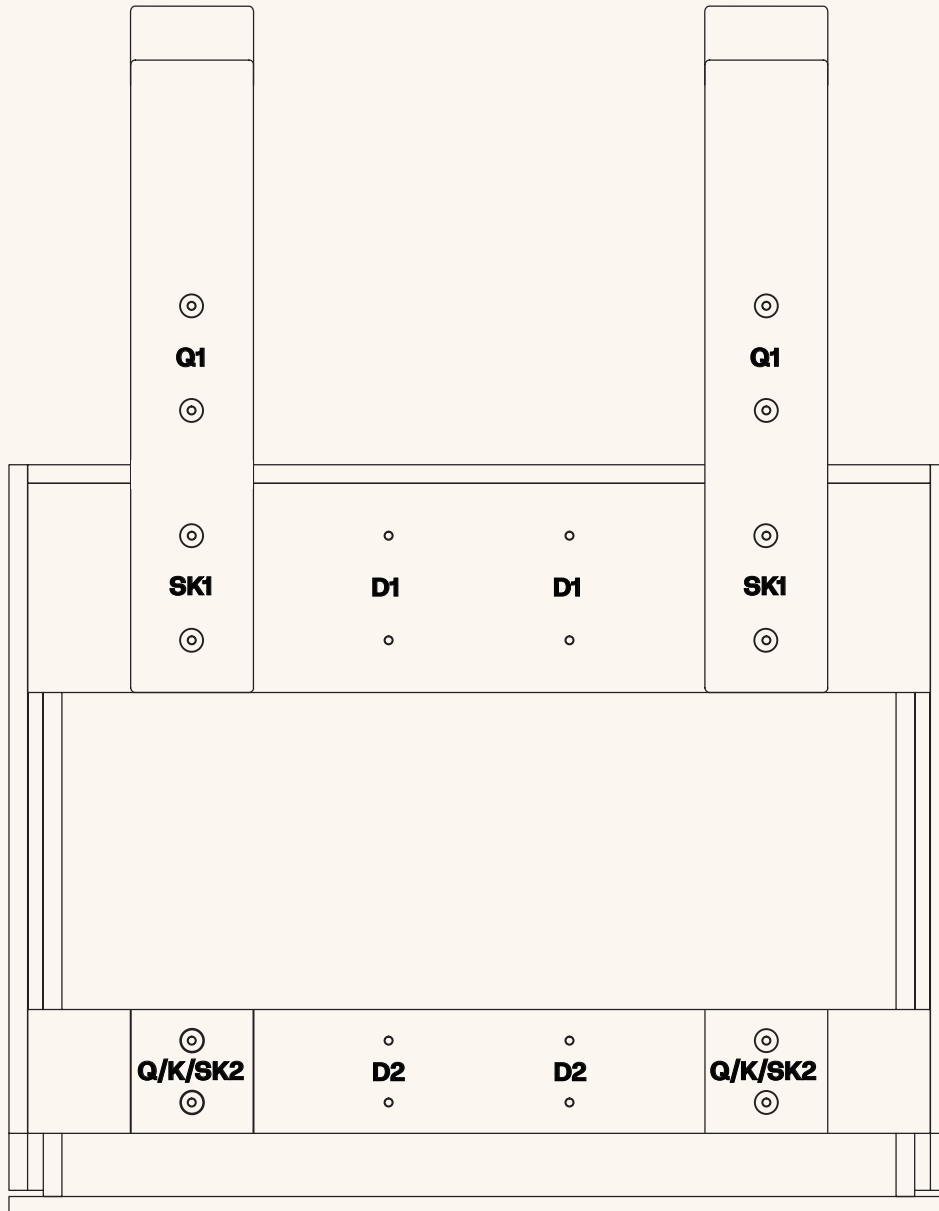
Tip: The King sized slats have K1 and Q/K/SK2 engraved on them.

PROGRESS



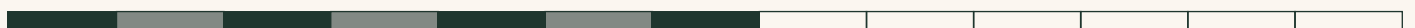
Super King Configuration

If you have a Super King bed frame, install the slats like this.



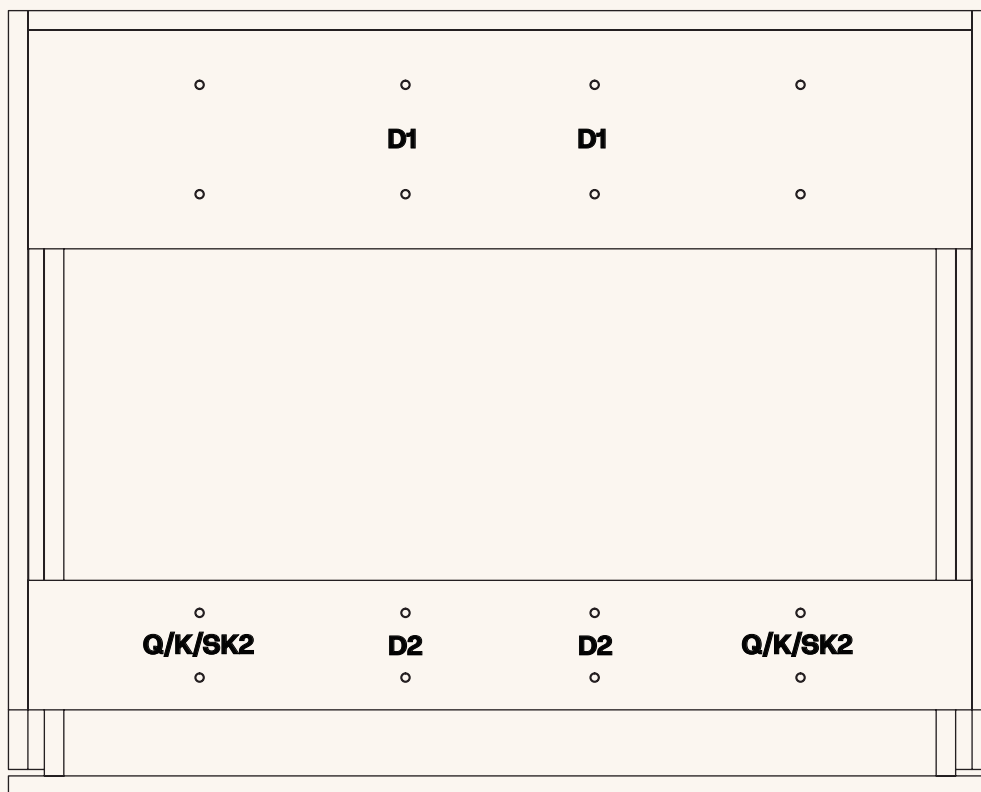
Tip: The Super King sized slats have SK1 and Q/K/SK2 engraved on them.

PROGRESS



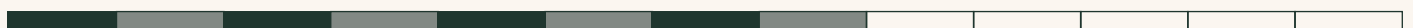
Double Configuration

If you have a Double bed frame, install the slats like this.



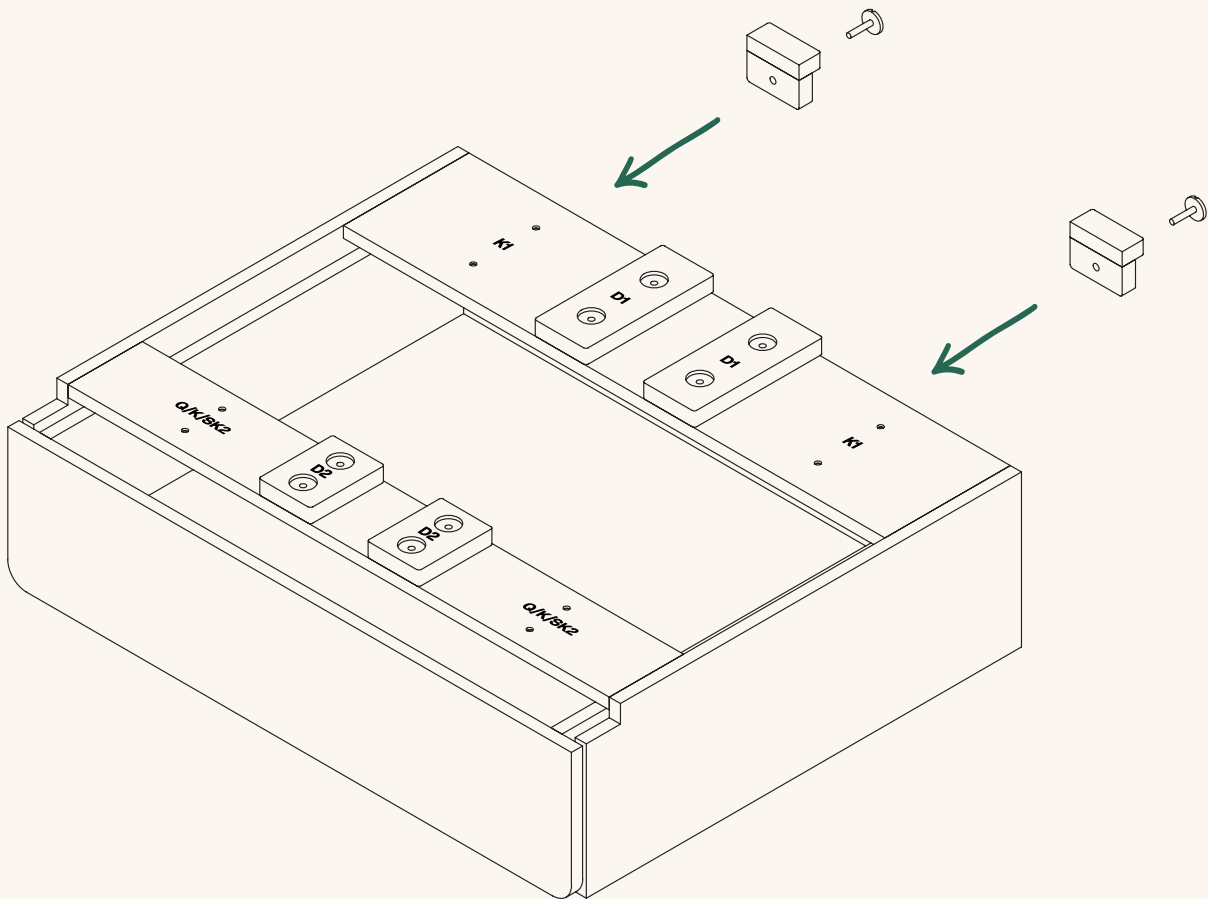
Tip: The Double sized slats have D1 and D2 engraved on them.

PROGRESS



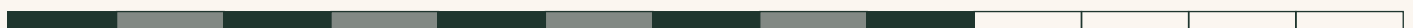
Double Configuration

If you have a Double bed frame, use the coin screws to install the tilt blocks onto the back of the unit.



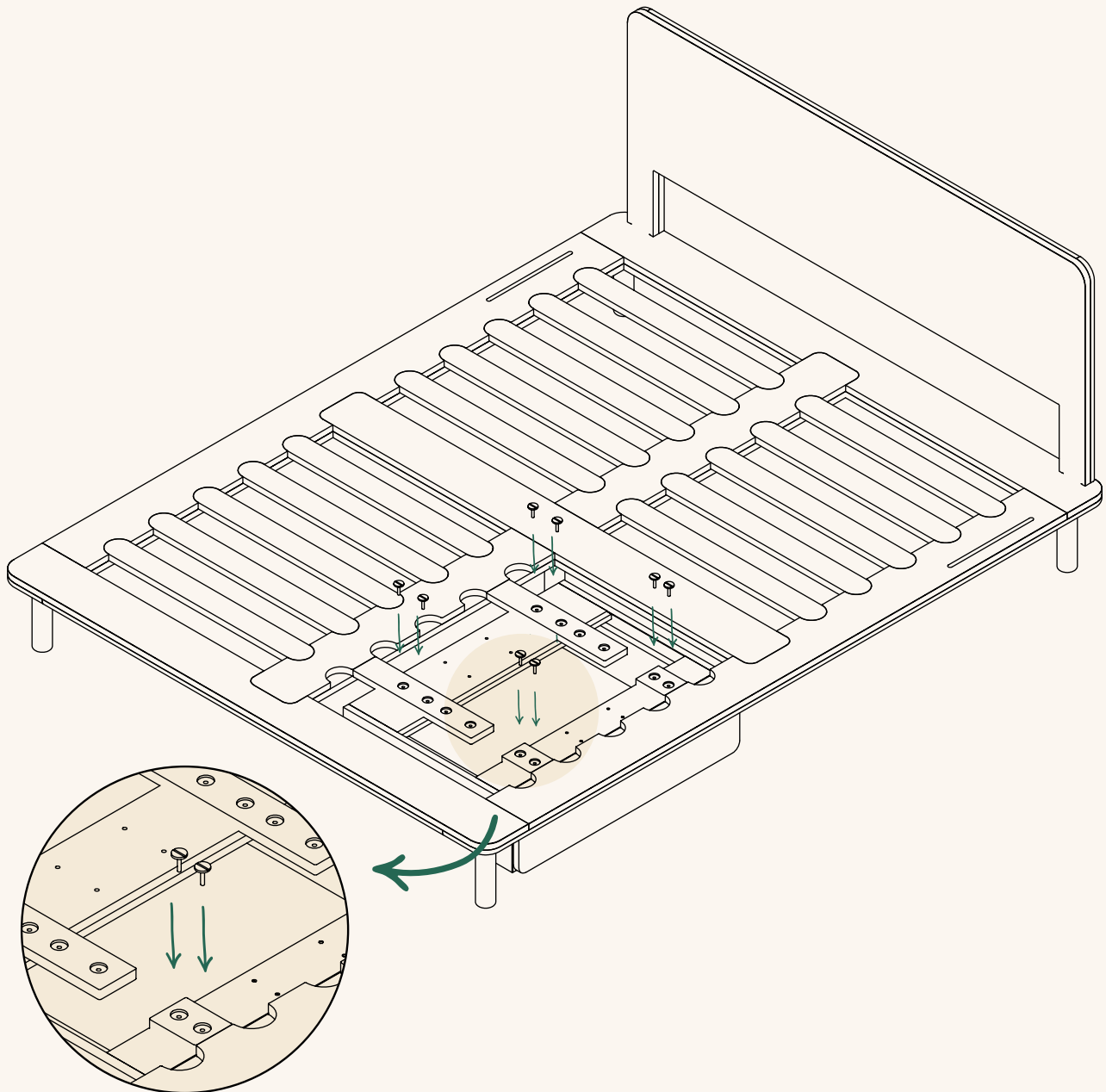
Tip: The coin screw holes are located on the back panel of the Kino Storage Drawer.

PROGRESS

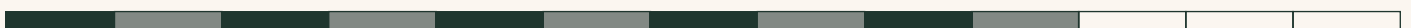


STEP 4

Use the coin screws to fix the slats into place.

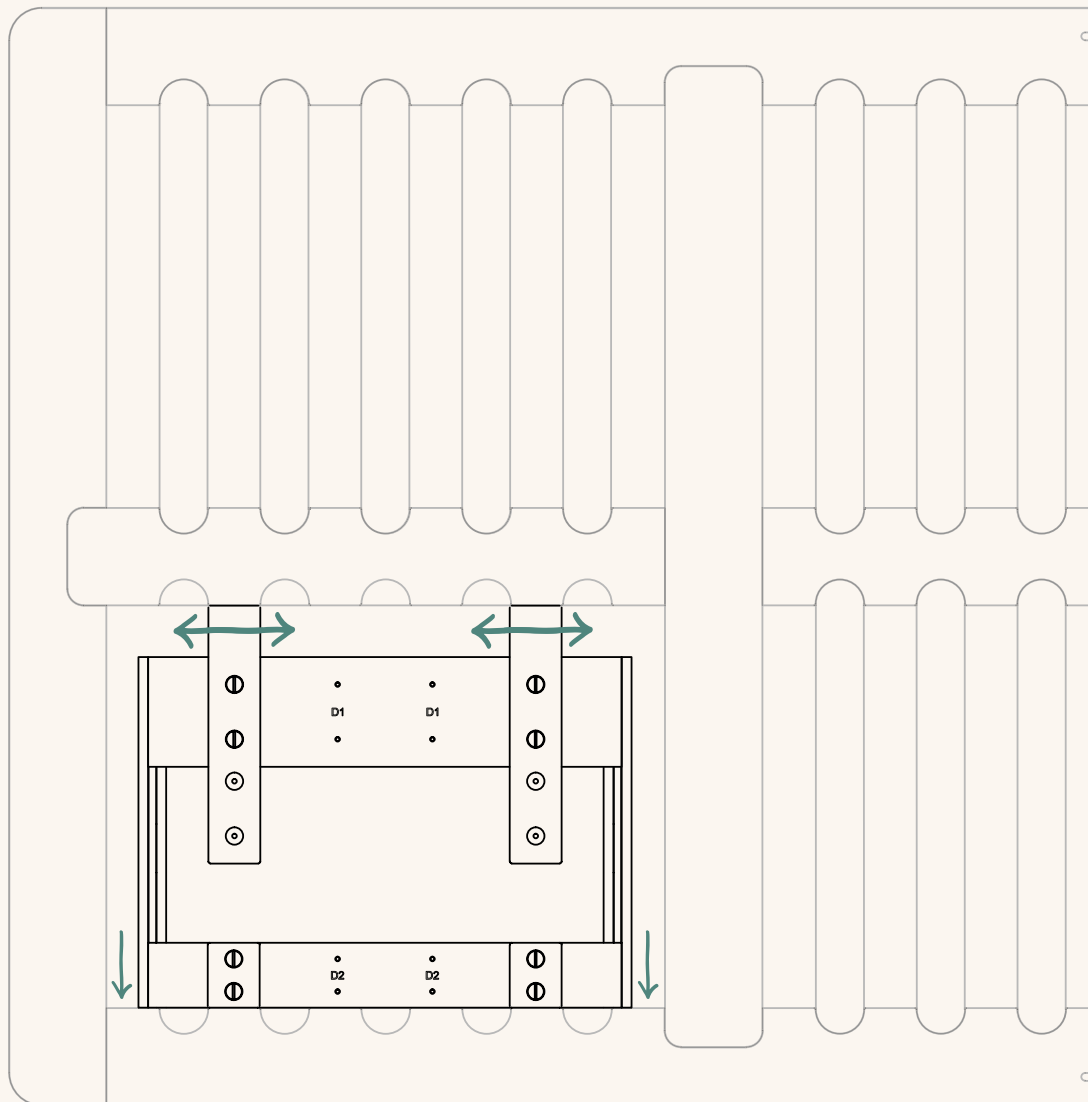


PROGRESS

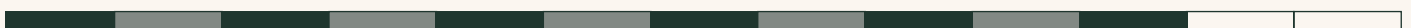


STEP 5

Adjust your Kino Storage Drawer to fit between the bed slats and align flush with the side rail.

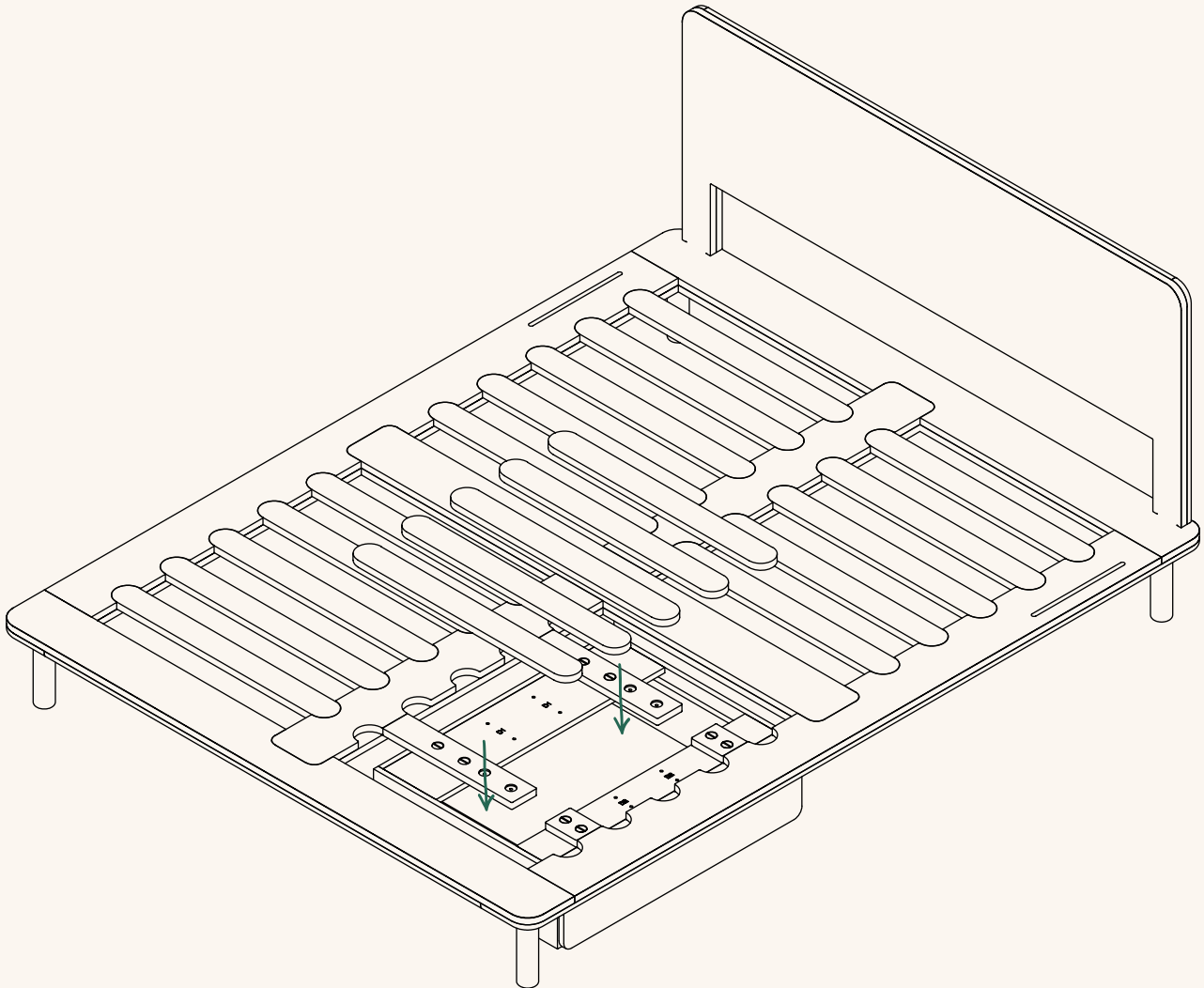


PROGRESS

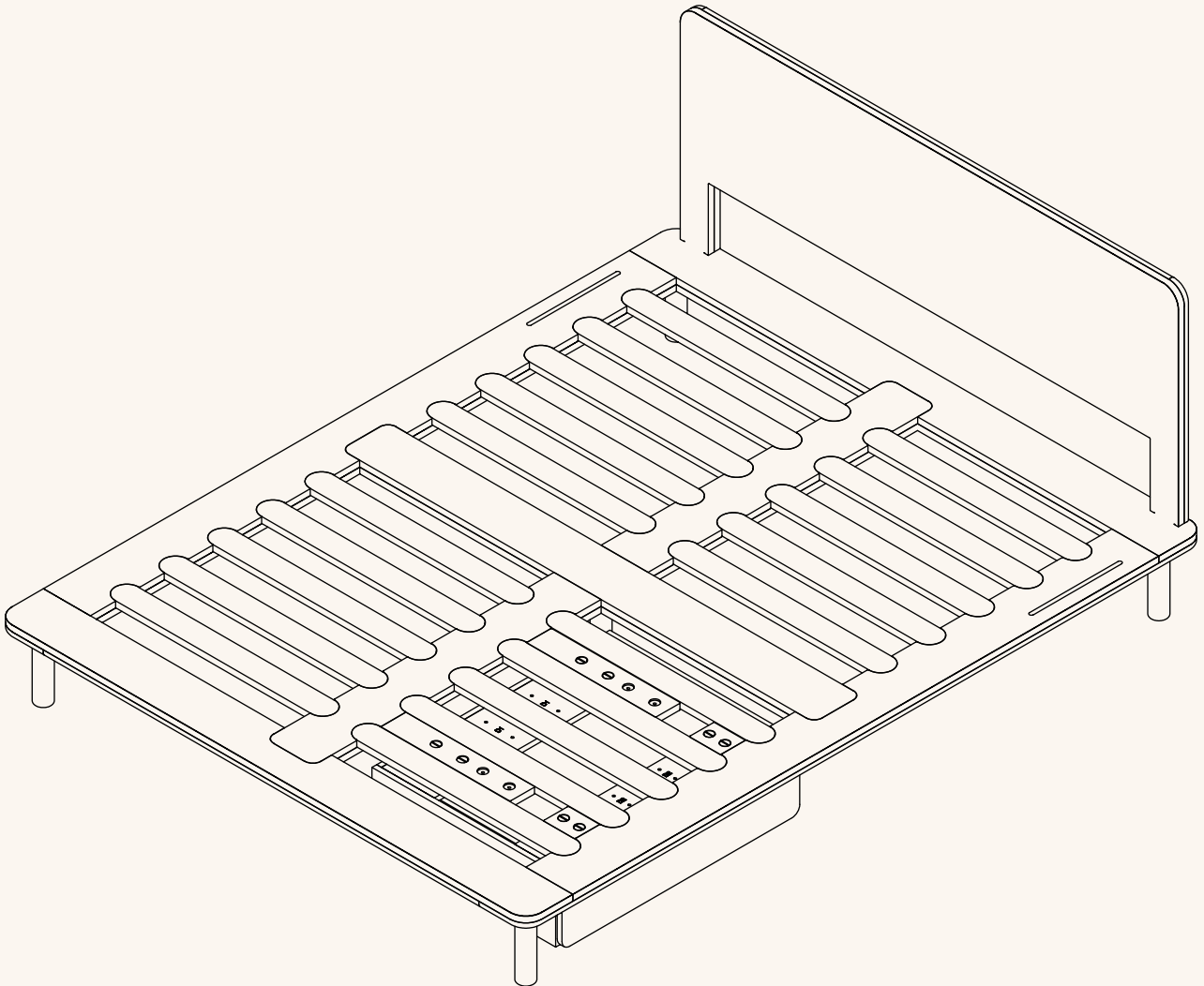


STEP 6

Place the slats that were removed earlier back onto the bed frame.

**PROGRESS**

All done! Repeat the previous steps if you have another Kino Storage Drawer to assemble.



Enjoy your Kino Storage Drawer!

PROGRESS



