

How to assemble your Timber Bed Frame

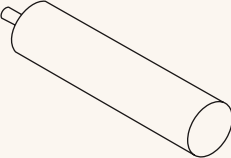
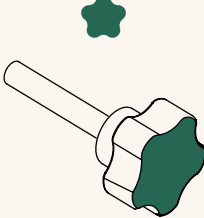
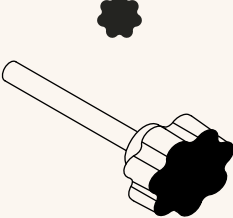
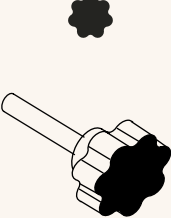
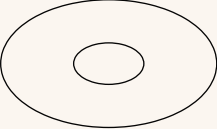
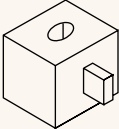
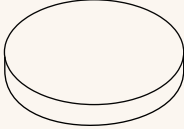

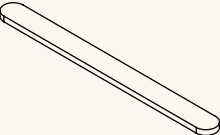
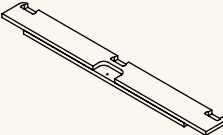
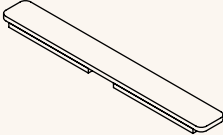
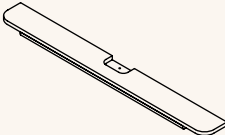
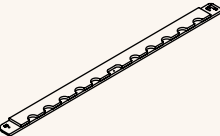
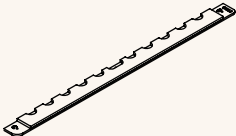
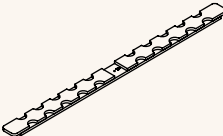
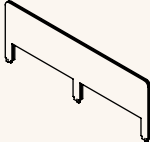


How to assemble your Super King Timber Bed Frame.

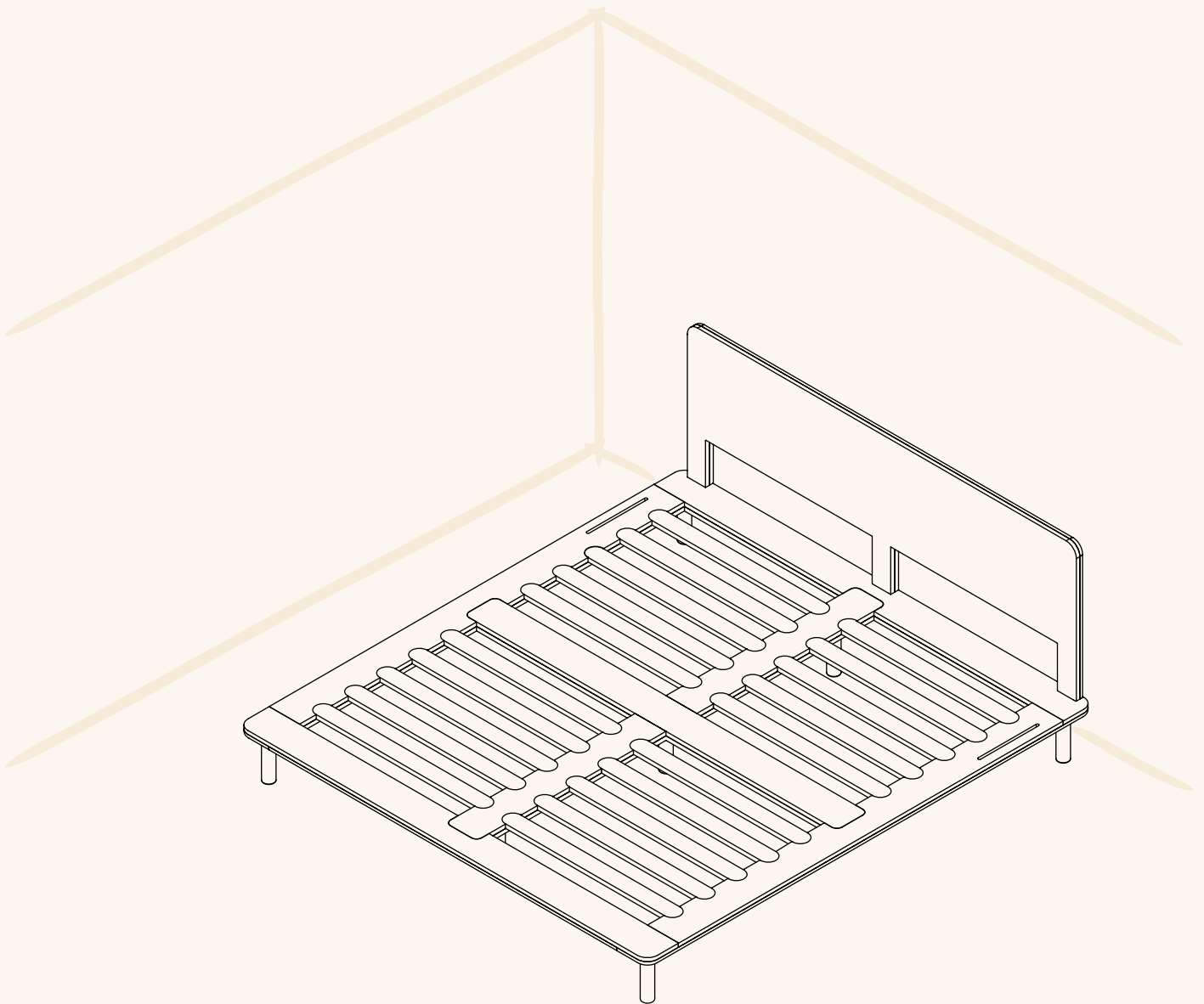
Contents

1. Component List	Pg. 3
2. Preface (Must read)	Pg. 4
3. Frame Assembly	Pg. 5
4. Kino Assembly (Optional)	Pg. 18

What comes with your Super King Timber Bed Frame.

<p>9x Legs</p> 	<p>6x Frame hand screws</p> 	<p>3x Long headboard hand screws</p> 	<p>3x Short headboard hand screws</p> 
<p>6x Washers</p> 	<p>3x Hammer nuts</p> 	<p>9x Thin felt pads</p> 	<p>3x Thick felt pads</p> 
<p>20x Slats</p> 	<p>1x Top rail</p> 	<p>1x Short middle rail</p> 	<p>1x Bottom rail</p> 
<p>1x Left rail</p> 	<p>1x Right rail</p> 	<p>1x Long middle rail</p> 	<p>1x Headboard</p> 

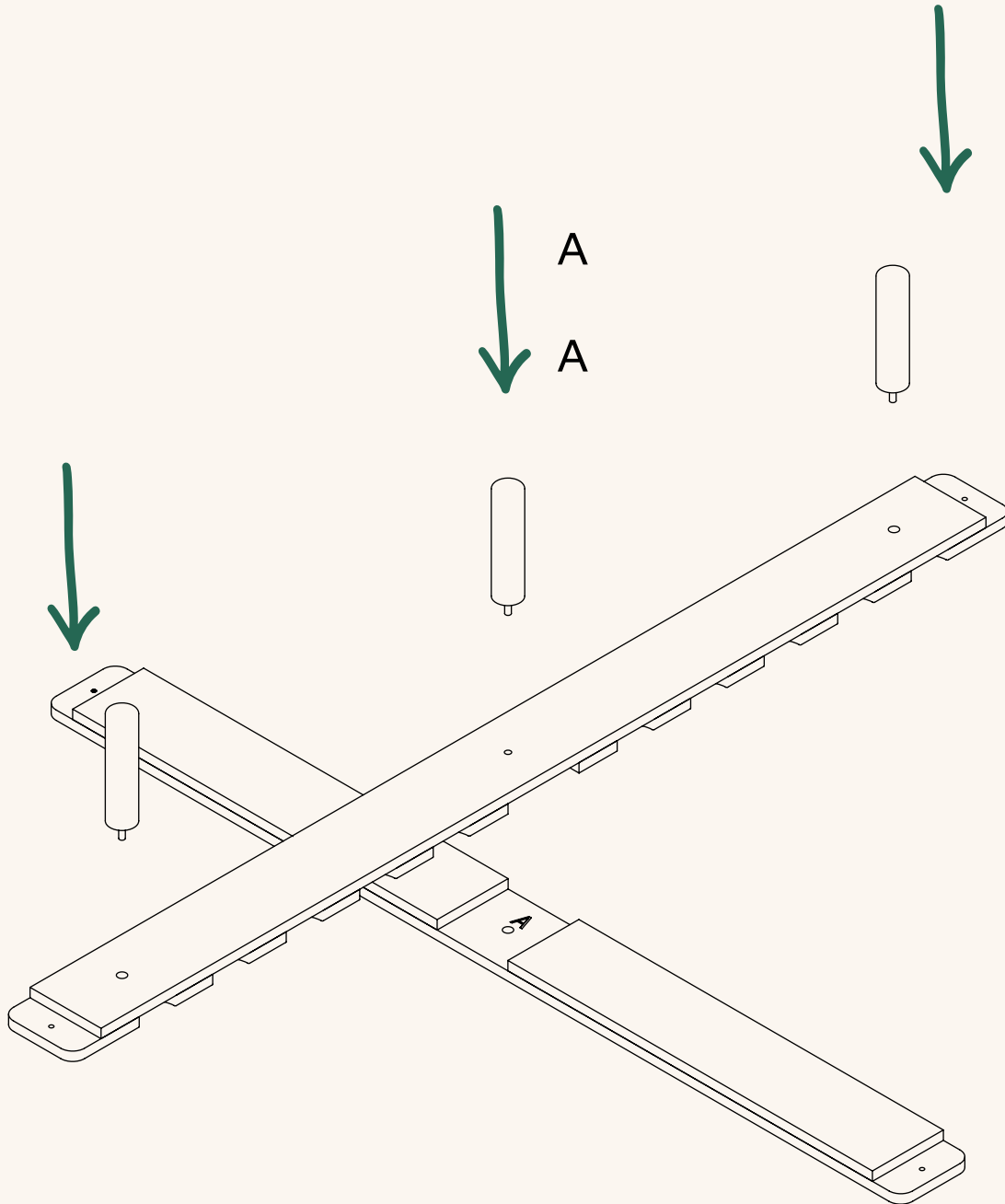
Before you begin, make sure to choose a spot for your Timber Bed Frame against a wall.



Please contact our customer experience team if you cannot place your bed frame against a wall.

STEP 1

Line up middle rails (A-A) and screw 3x legs in to secure together. Set aside.



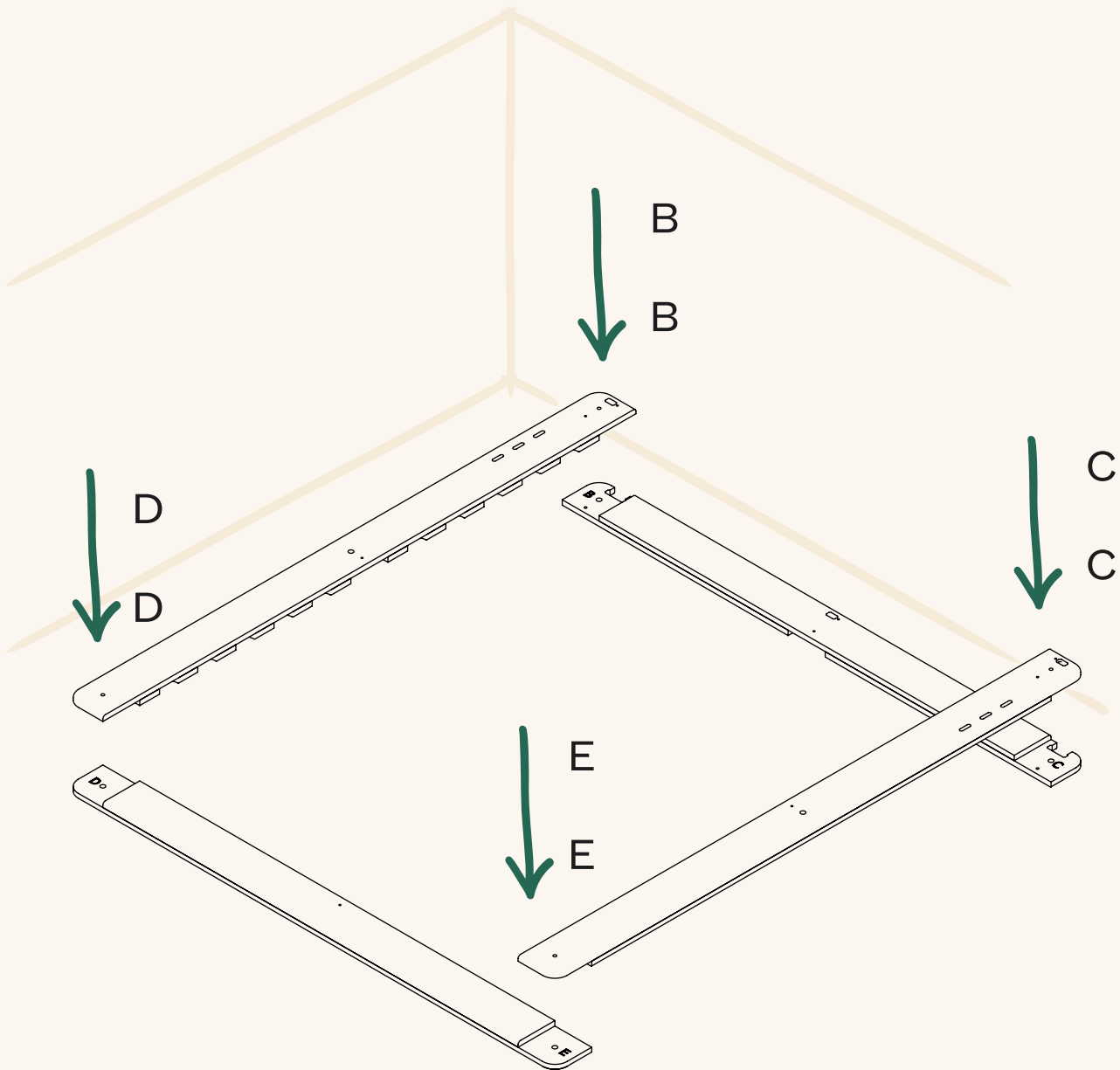
Optional: Stick thin felt pads onto underside of legs. We recommend this for timber or hard floors.

PROGRESS



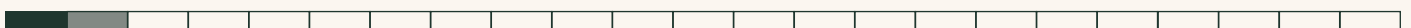
STEP 2

Line up top (B-C), bottom (D-E), and side rails (B-D, C-E) together.



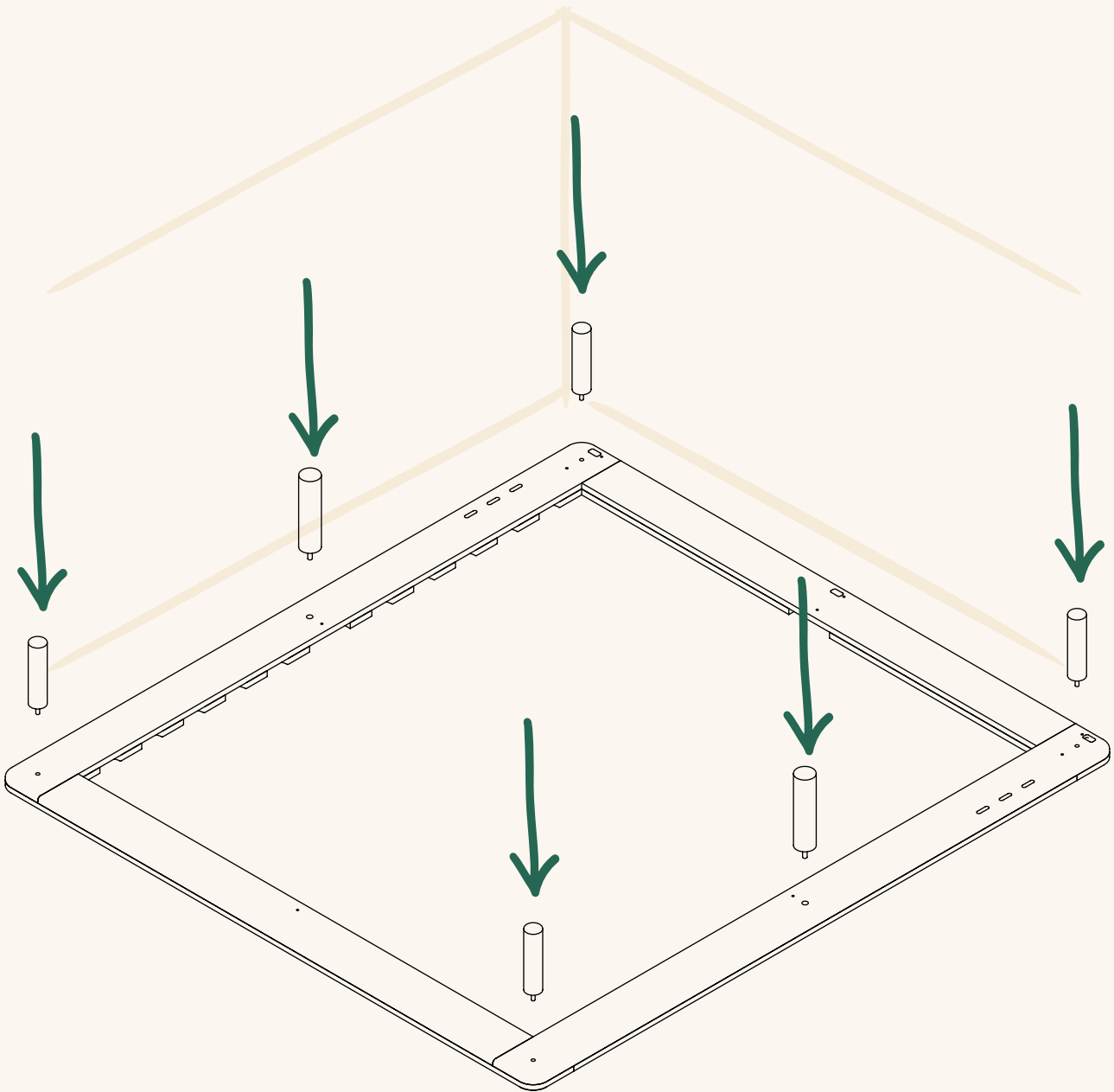
Match the letters and have the top rail closest to the wall.

PROGRESS



STEP 3

Screw 6x legs into corners and sides to secure together.



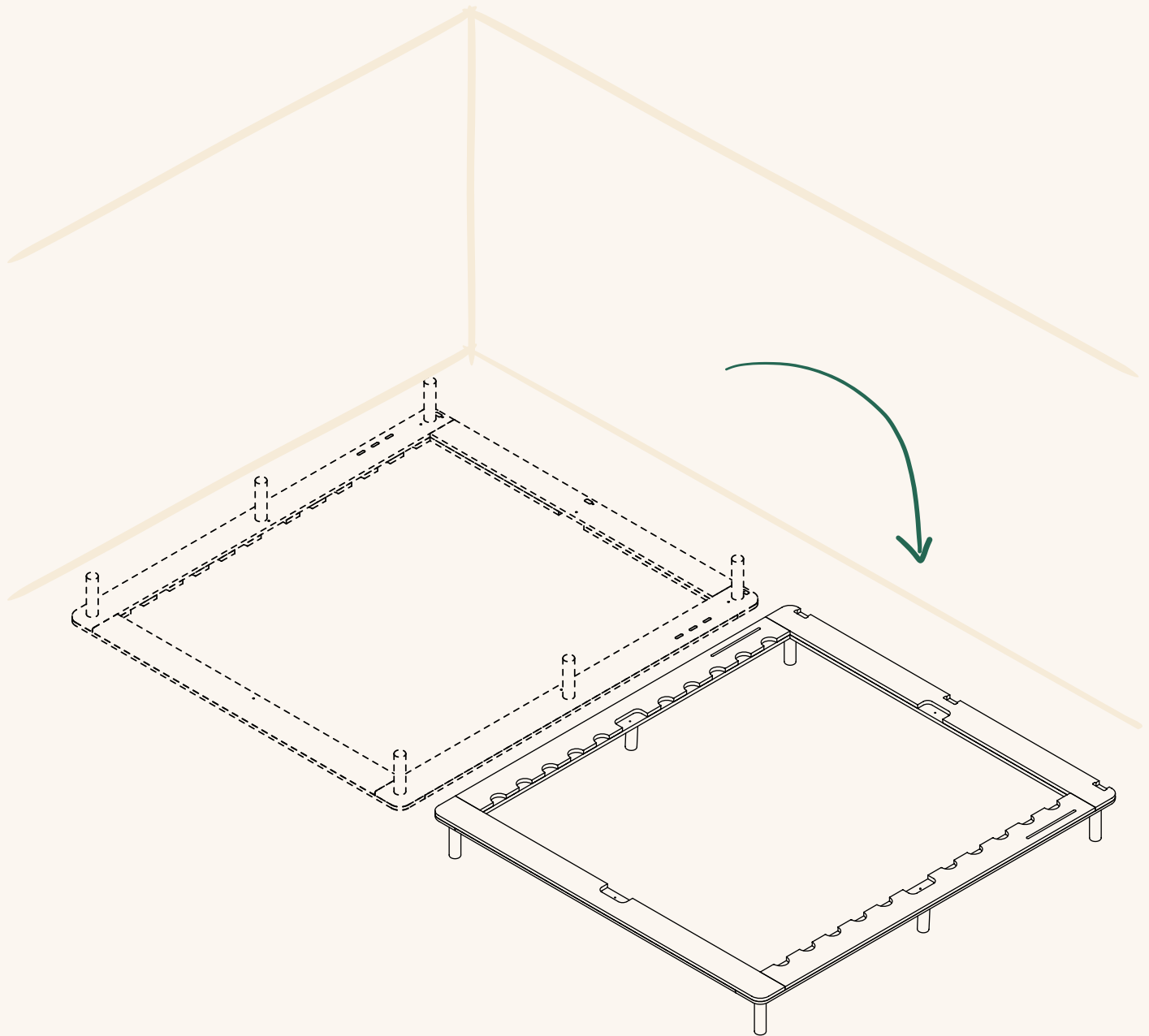
Optional: Stick thin felt pads onto underside of legs. We recommend this for timber or hard floors.

PROGRESS



STEP 4

Flip frame upright.

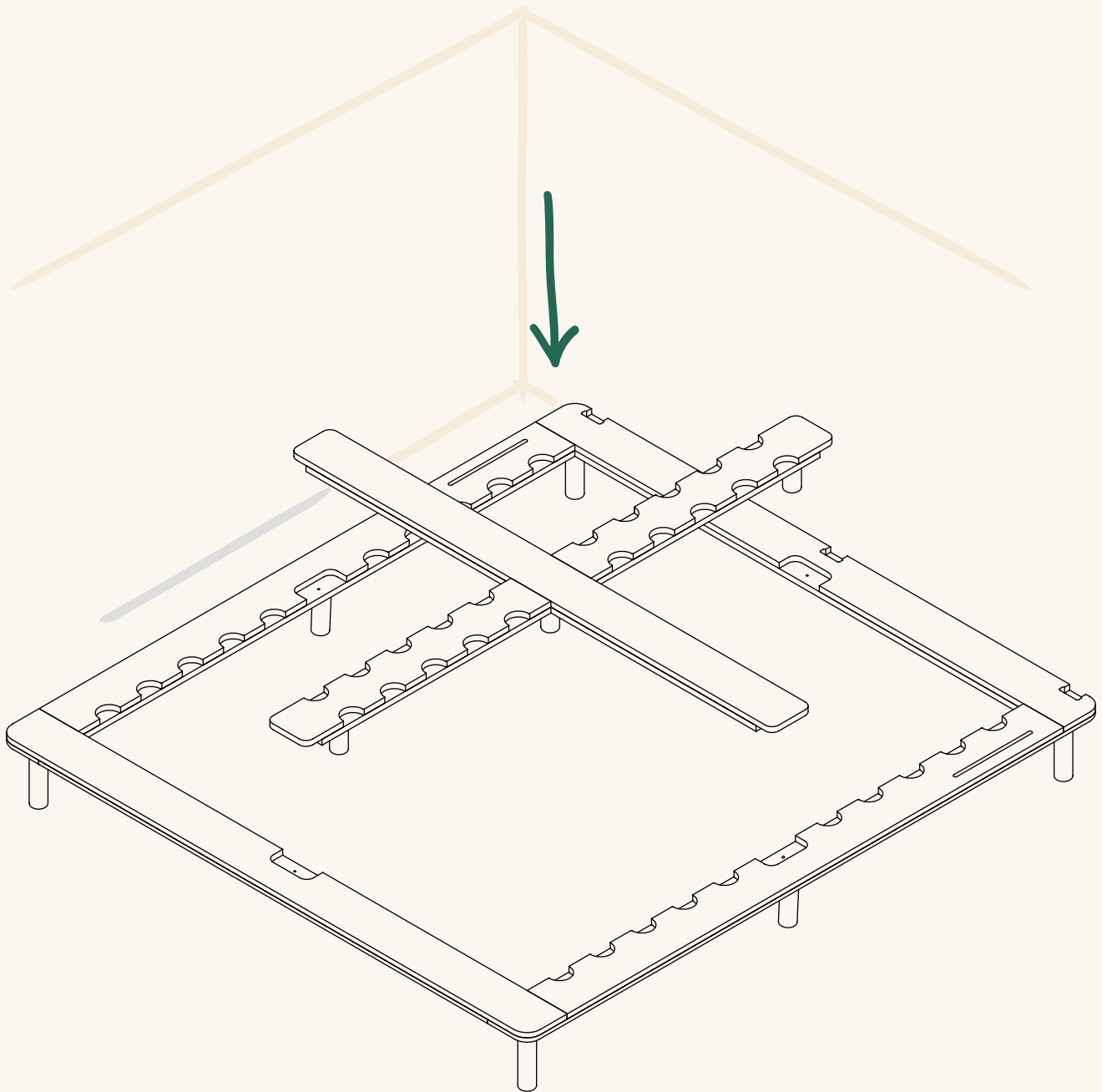


PROGRESS



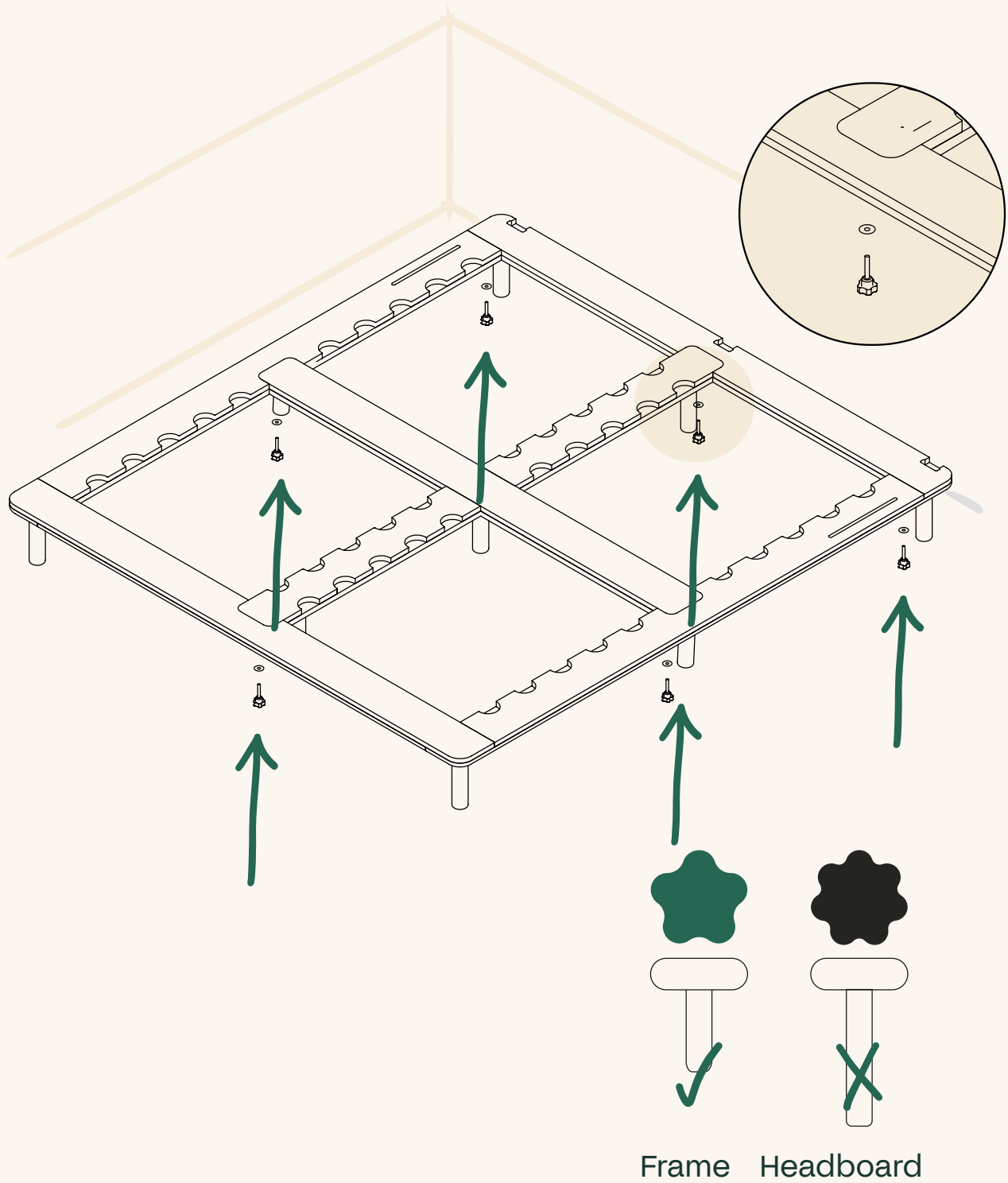
STEP 5

Place previously assembled section onto frame.

**PROGRESS**

STEP 6

Secure together using 6x frame hand screws with washers.

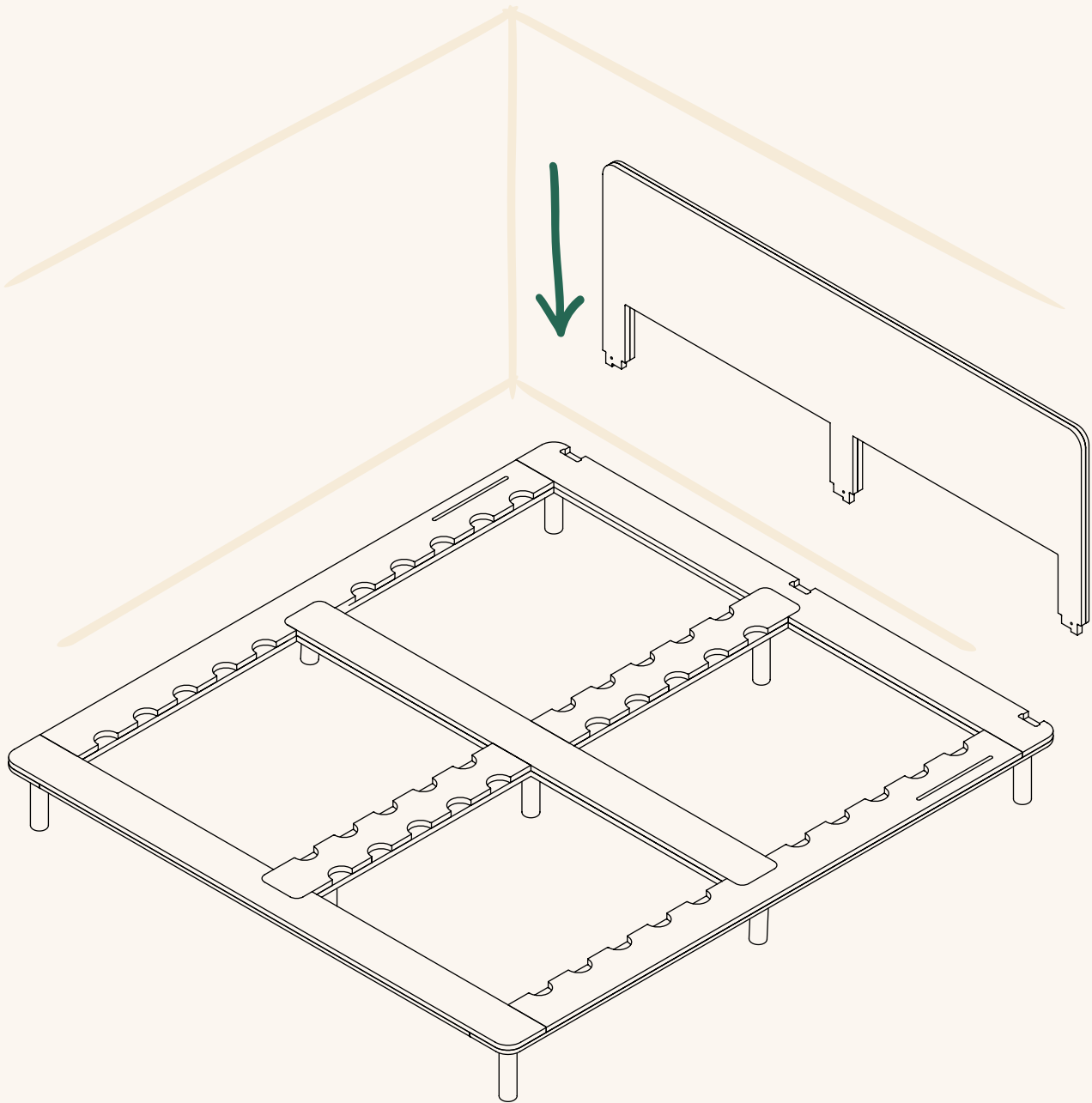


PROGRESS

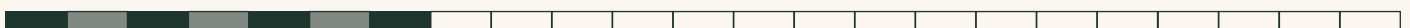


STEP 7

Place headboard onto frame.

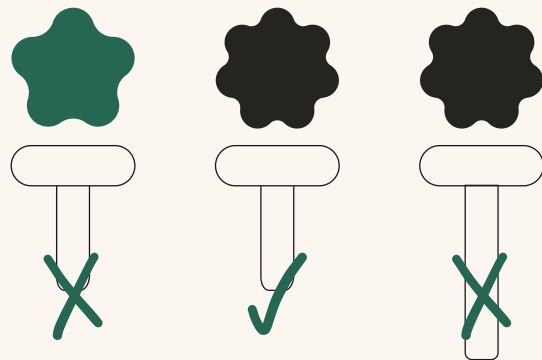
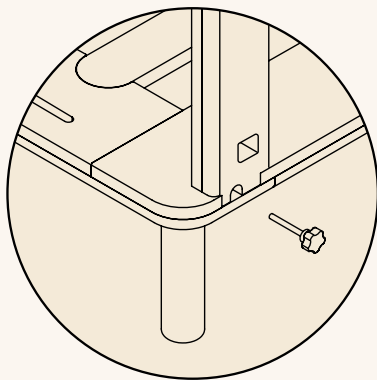
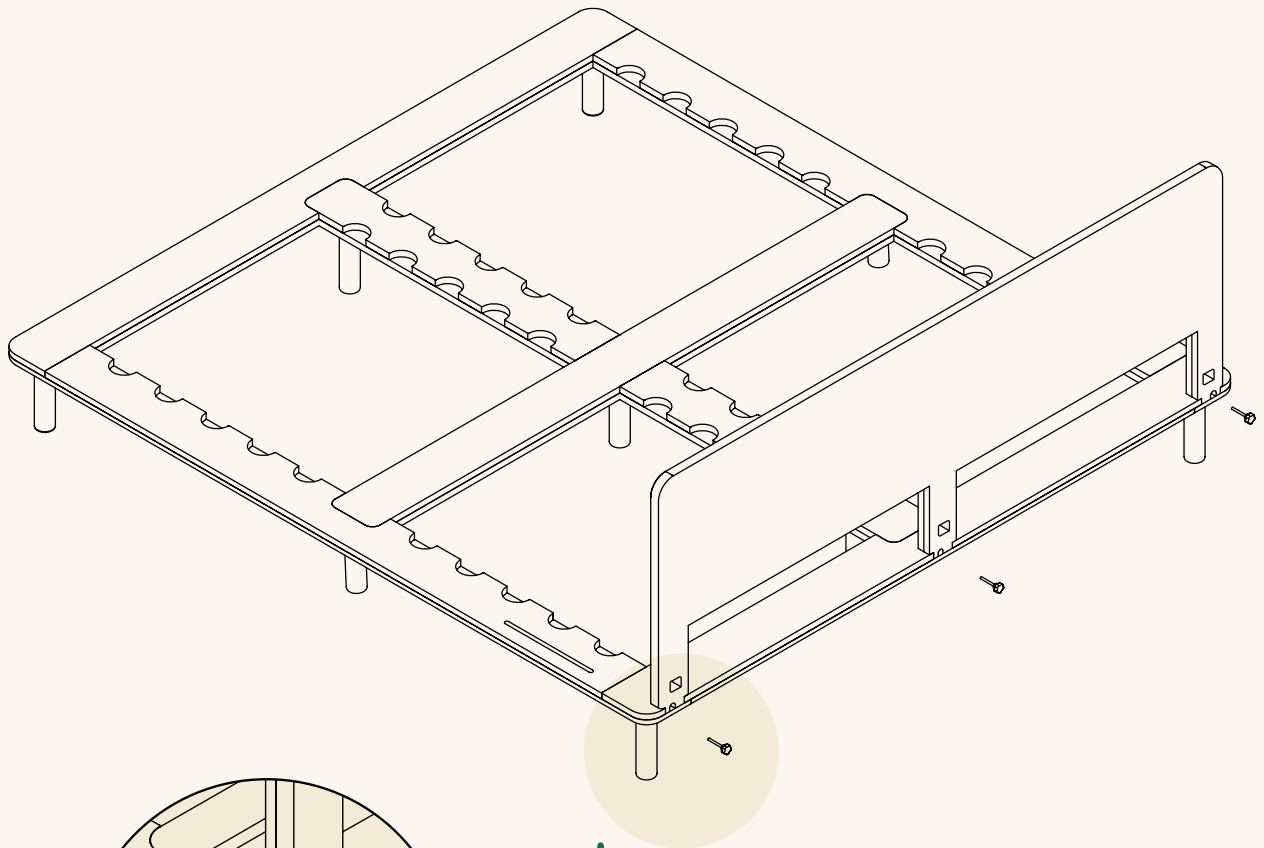


PROGRESS



STEP 8

Secure back of headboard using 3x short headboard hand screws.



Frame

Short
headboard

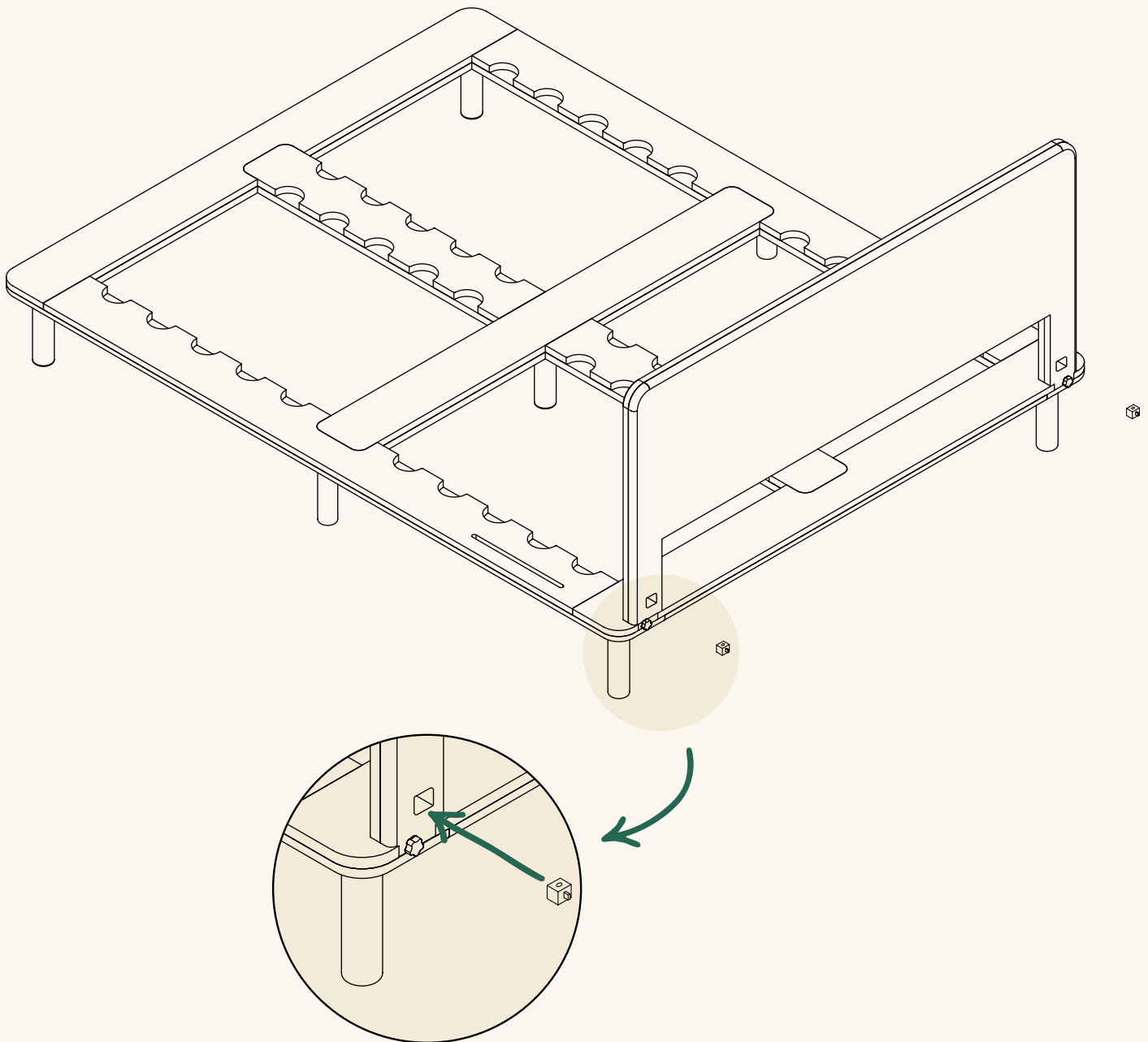
Long
headboard

PROGRESS



STEP 9

Insert 3x hammer nuts into square cutouts at the back of the headboard. Ensure holes align vertically.

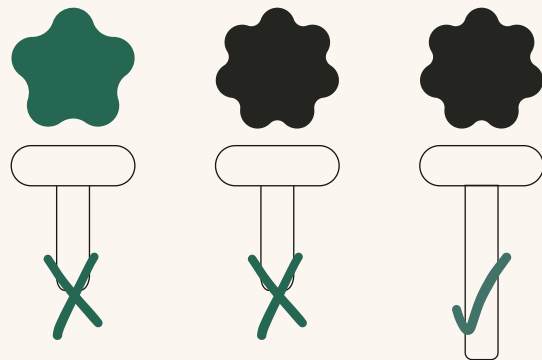
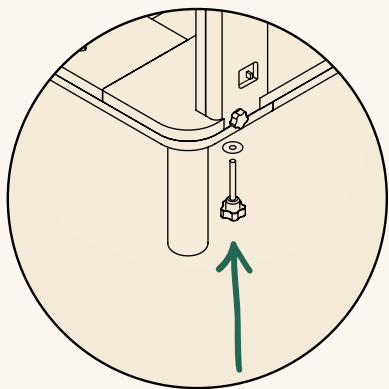
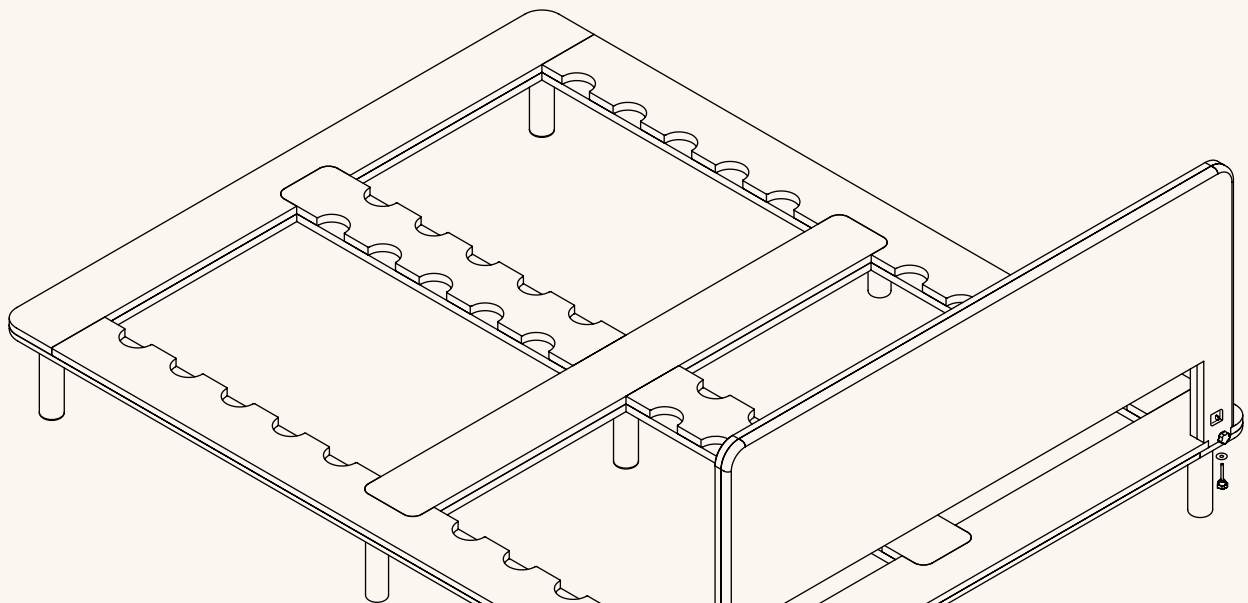


PROGRESS



STEP 10

Insert 3x long headboard hand screws with washers through base & hammer nut holes. Tighten to secure.

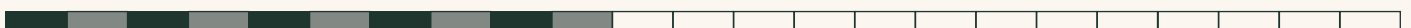


Frame

Short
headboard

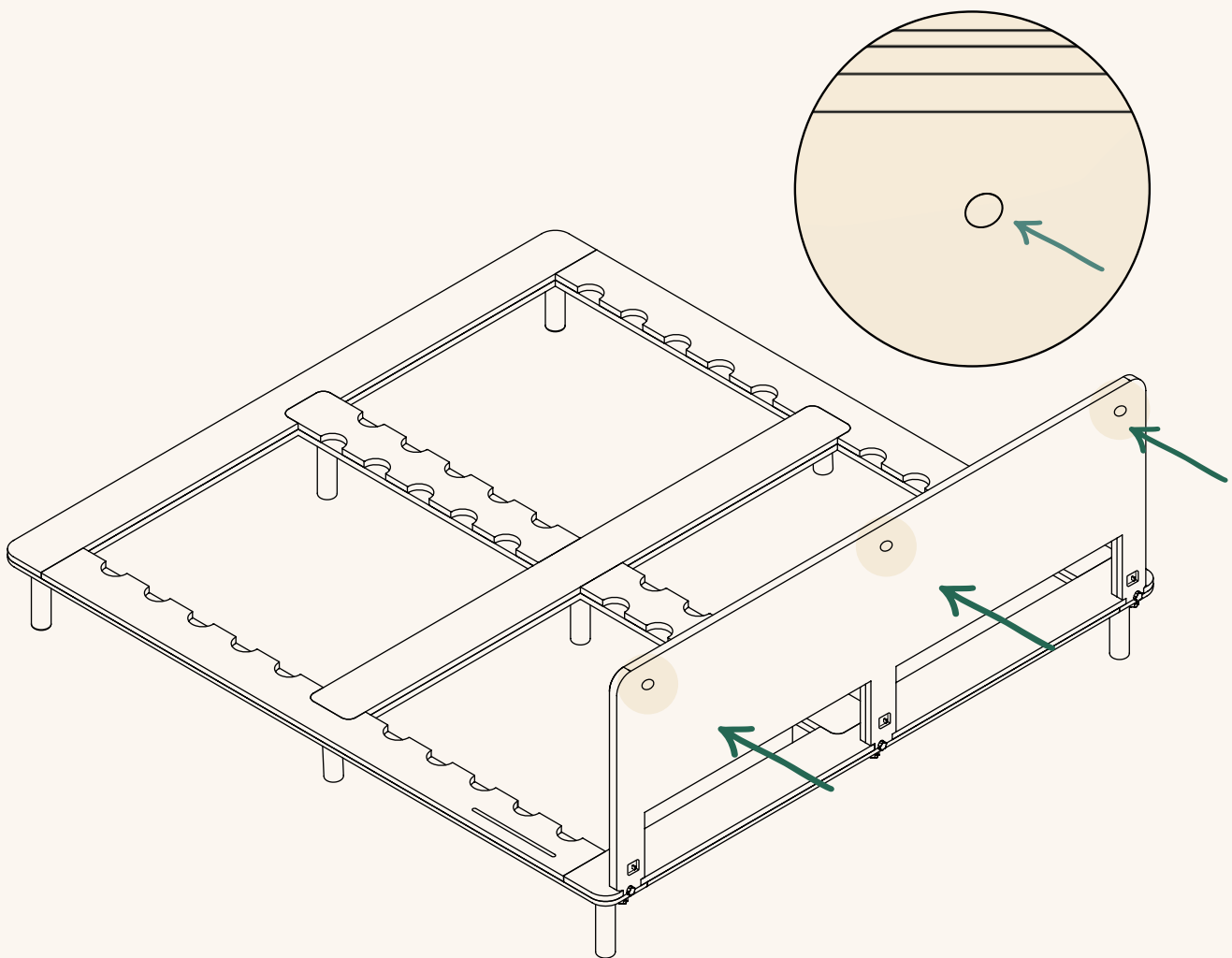
Long
headboard

PROGRESS



STEP 11

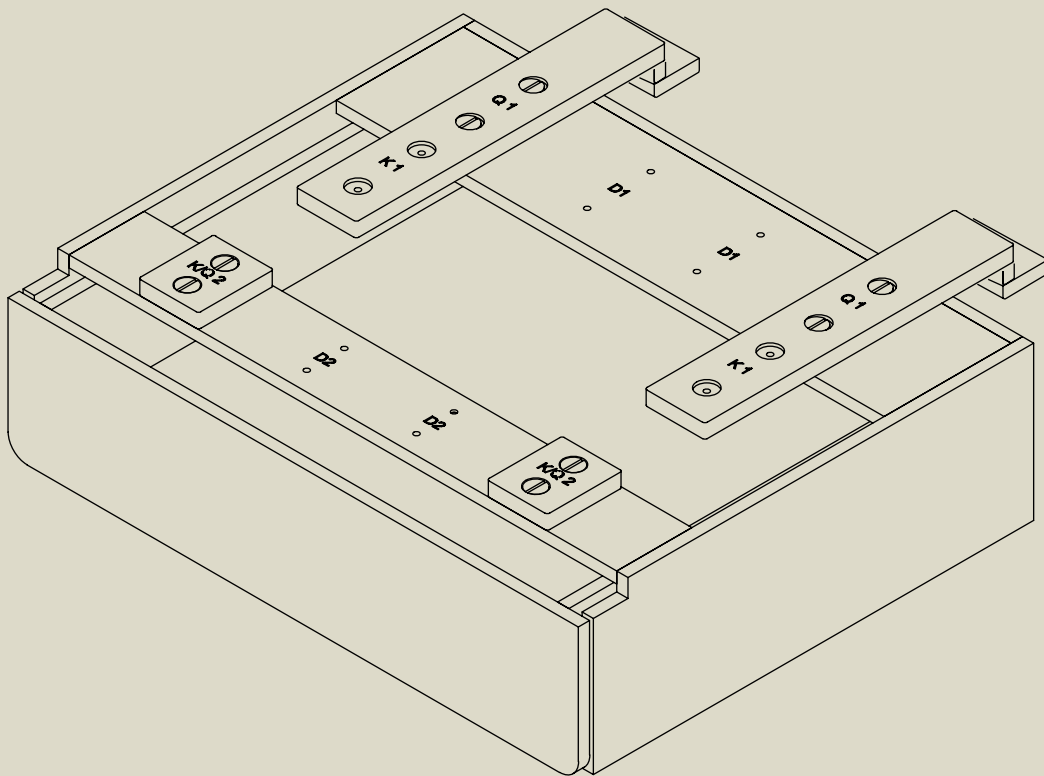
Stick 3x thick felt pads to the back side of the headboard to protect your wall.



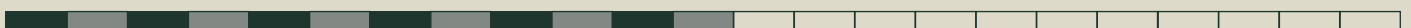
PROGRESS



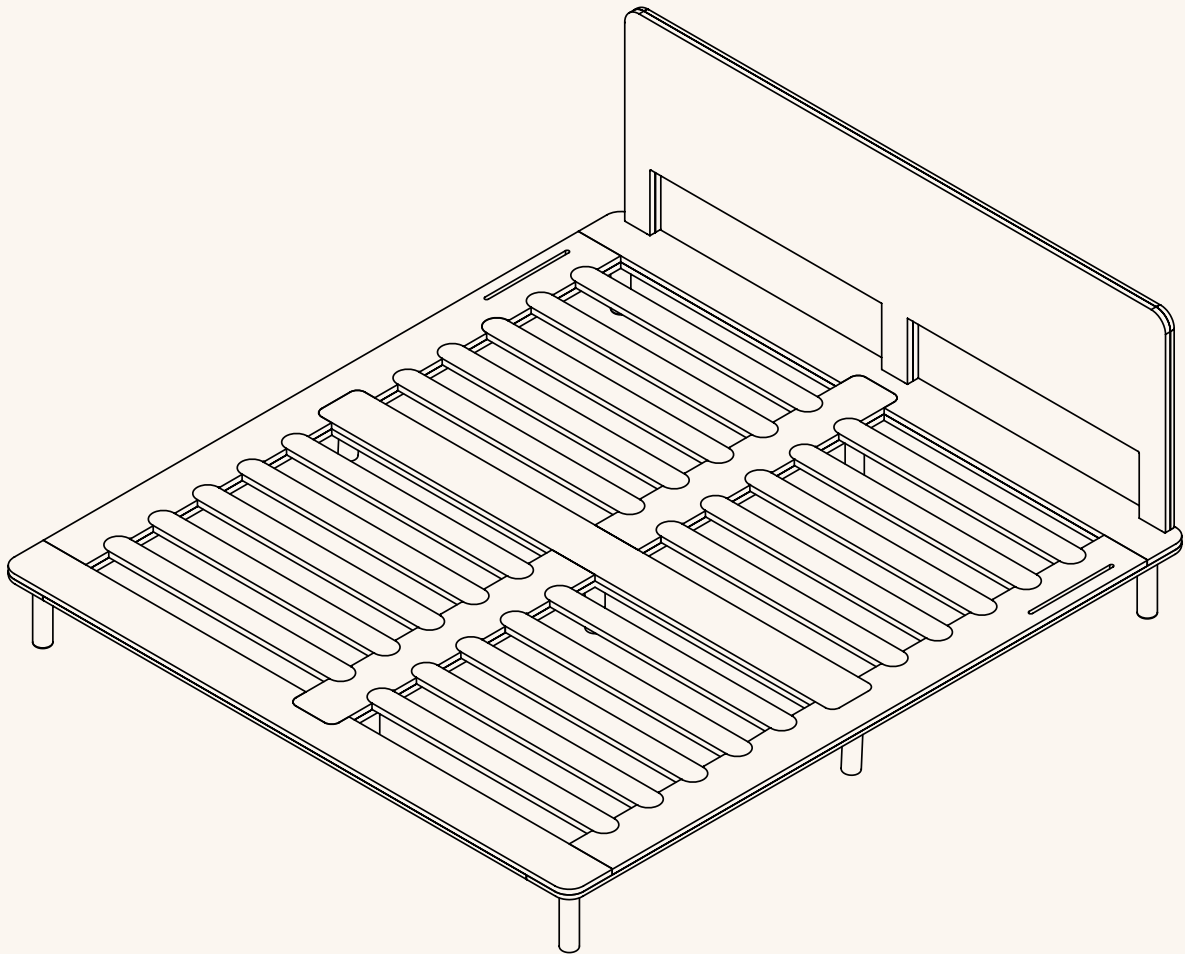
If you've ordered our Kino Storage Drawer, please skip to Page 18 for assembly instructions.



If you haven't ordered our drawers, continue to page 17 to complete your Timber Bed Frame assembly.

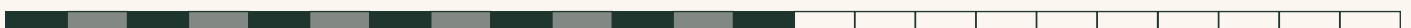
PROGRESS

Place slats on and enjoy!

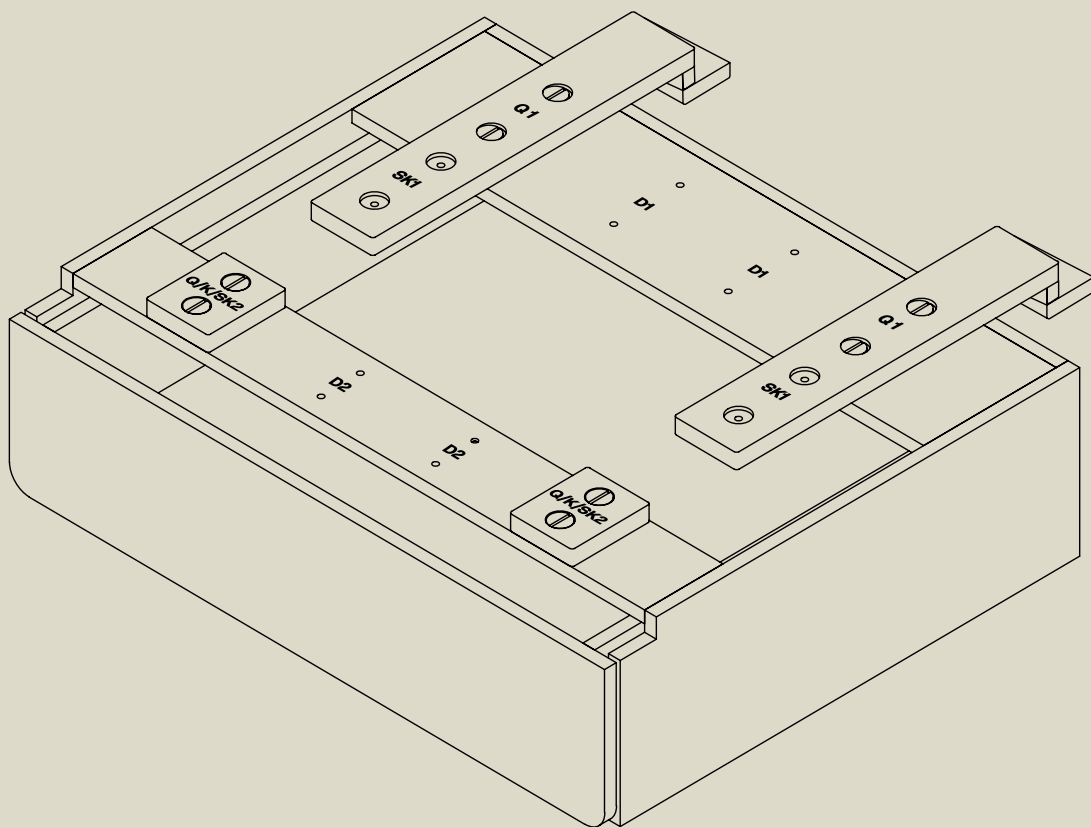


Caution: Avoid standing on slats.

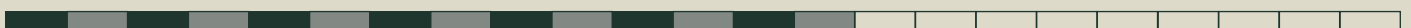
PROGRESS



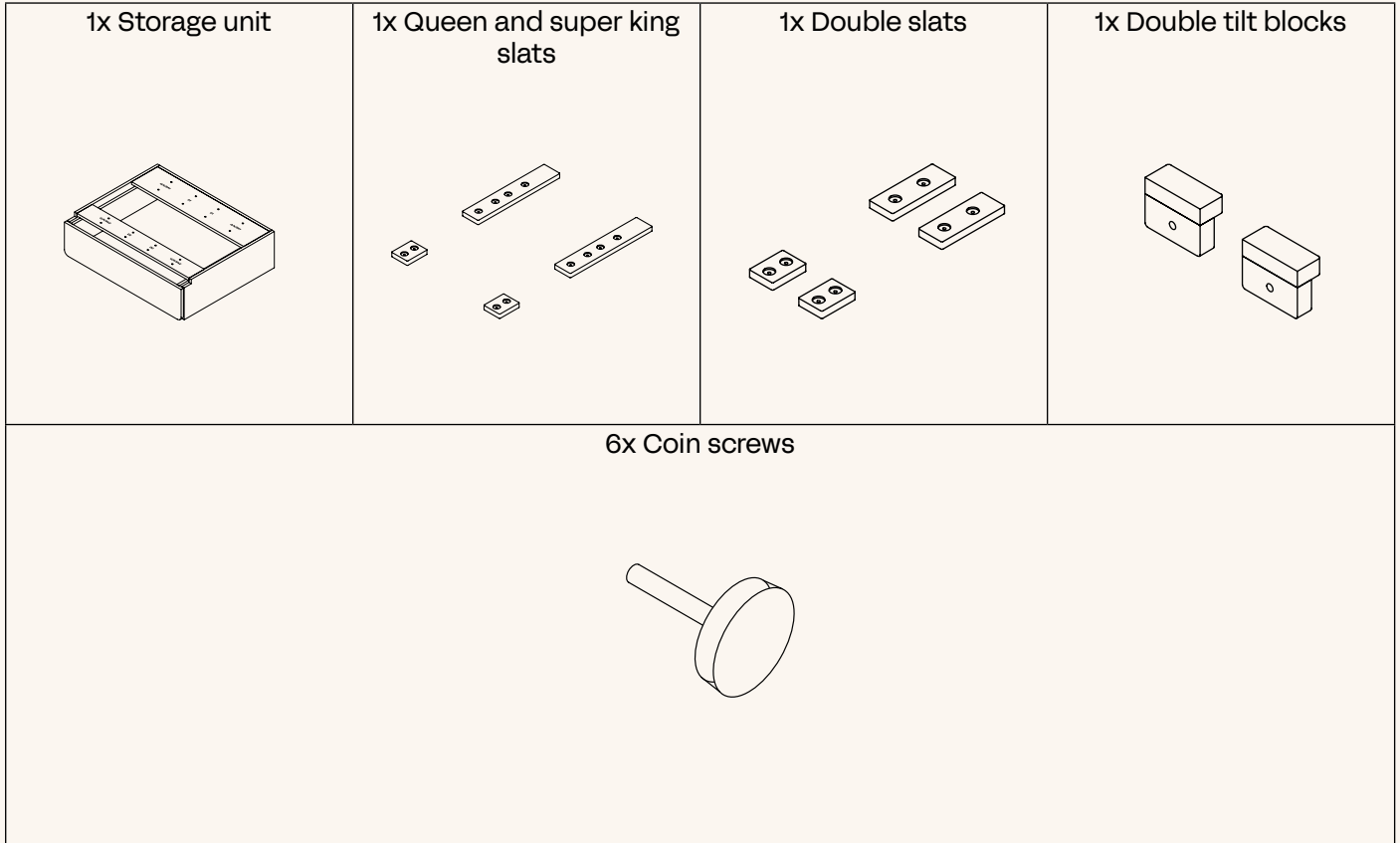
Let's assemble your Kino Storage Drawer.



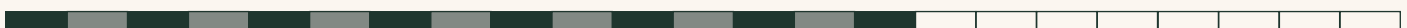
PROGRESS



What comes with your Kino Storage Drawer.

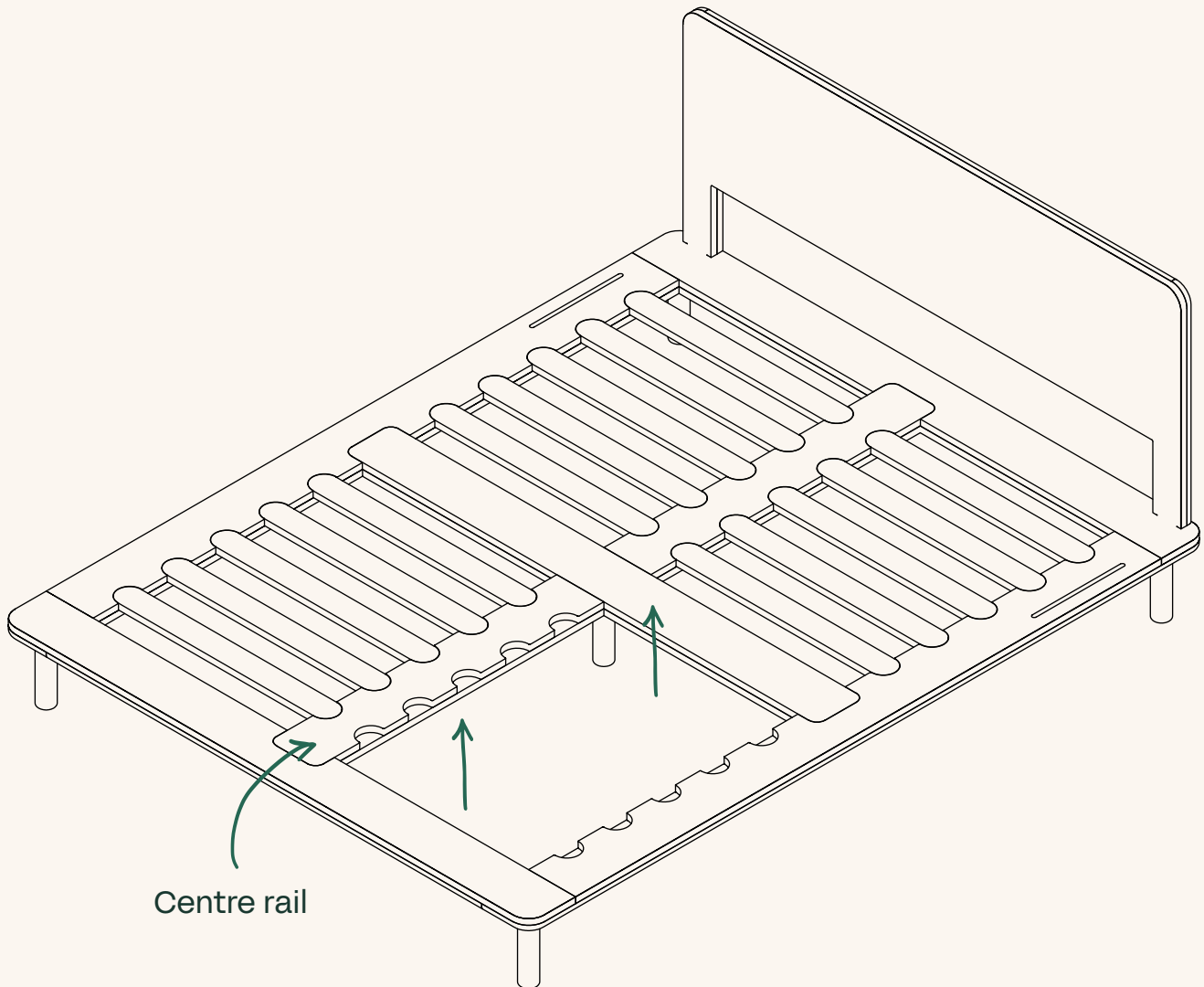


PROGRESS

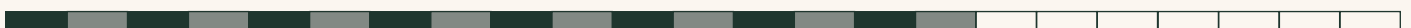


STEP 1

Start by removing a few slats to make space for your Kino Storage Drawer.

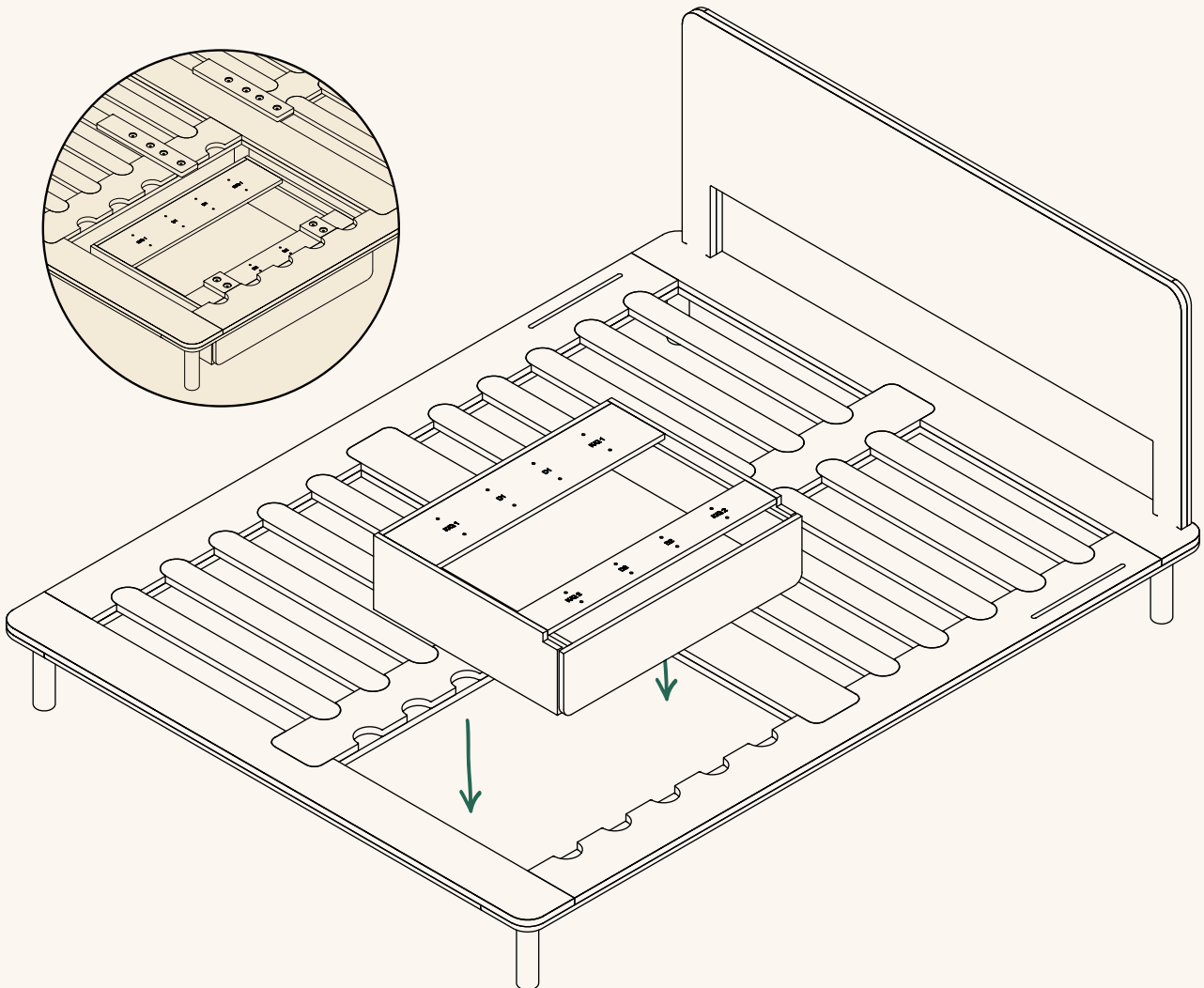


Tip: If you have a double bed, you'll need to remove all slats and the centre rail to install your Kino Storage Drawer.

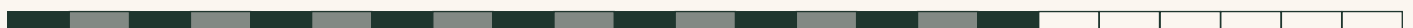
PROGRESS

STEP 2

Gently lower your Kino Storage Drawer into the bed frame.

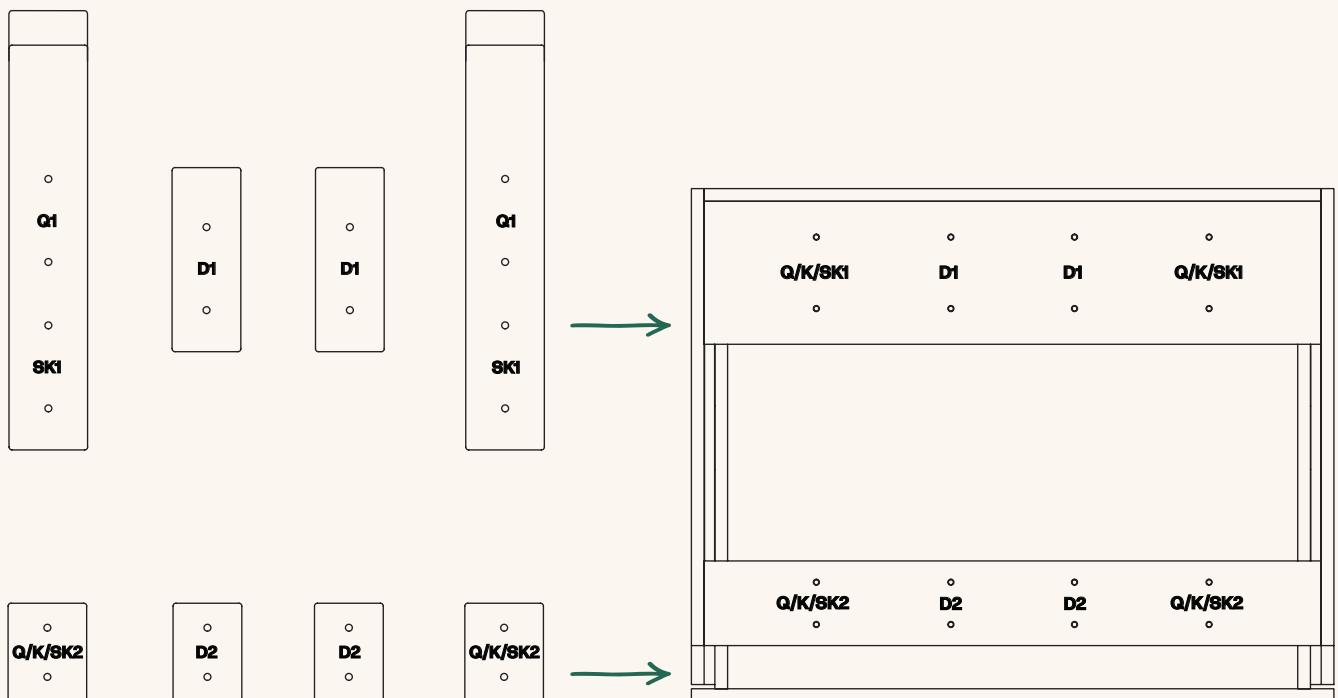


Tip: For easier installation, place hands on the outside of the unit and have one person guide one side while another guides the other side.

PROGRESS

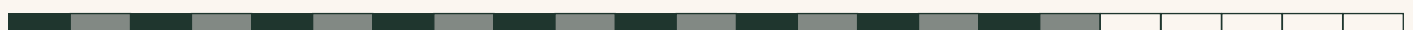
STEP 3

Select the appropriate slats to install onto your Kino Storage Drawer unit.

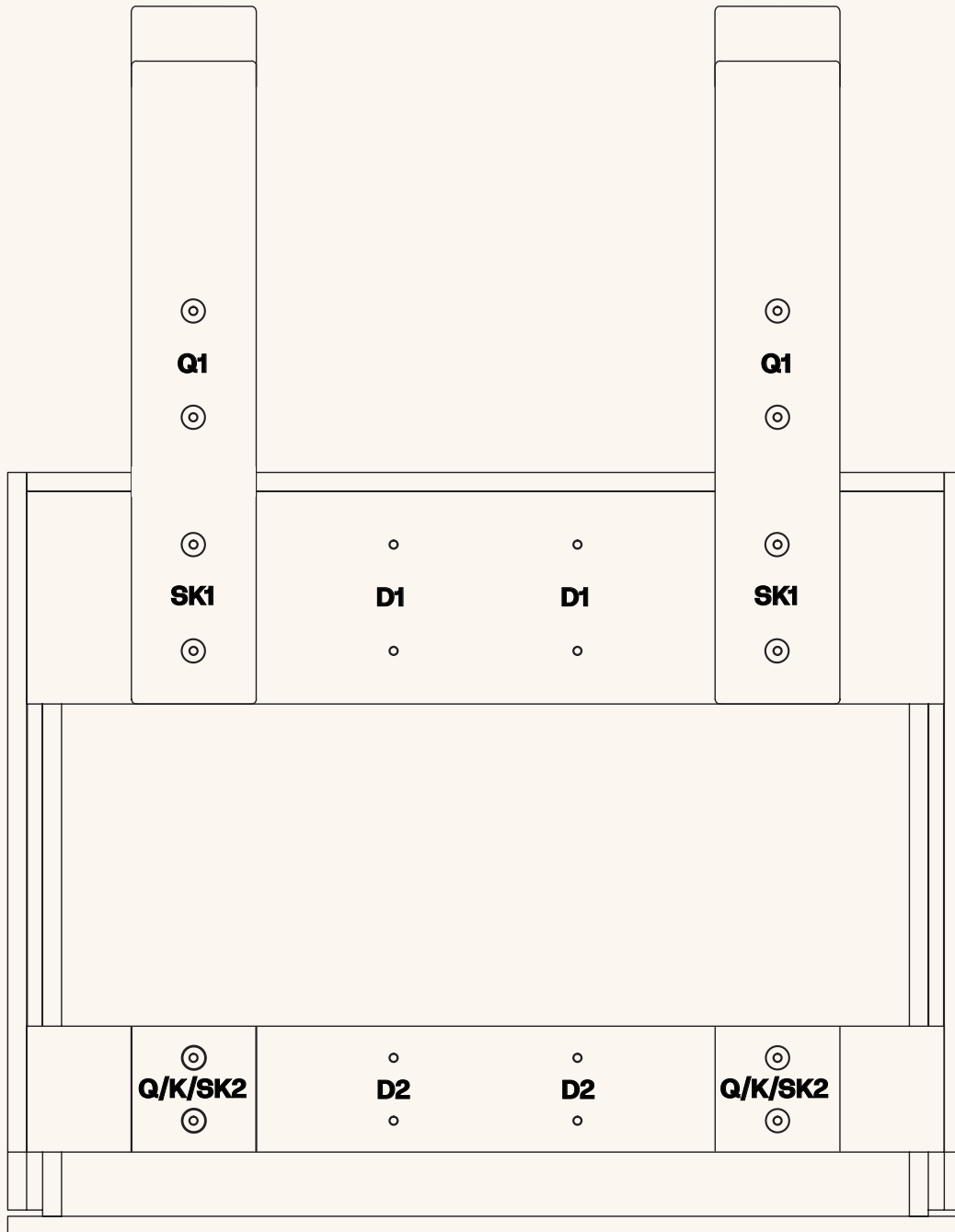


Tip: Look for the letters engraved on both the slats and your Kino Storage Drawer unit. Match these letters to create a configuration appropriate for your bed frame size: “Q” for Queen “K” for King “SK” for Super King “D” for Double.

PROGRESS

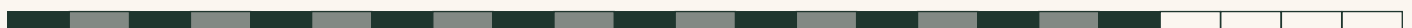


If you have a Super King bed frame, install the slats like this.



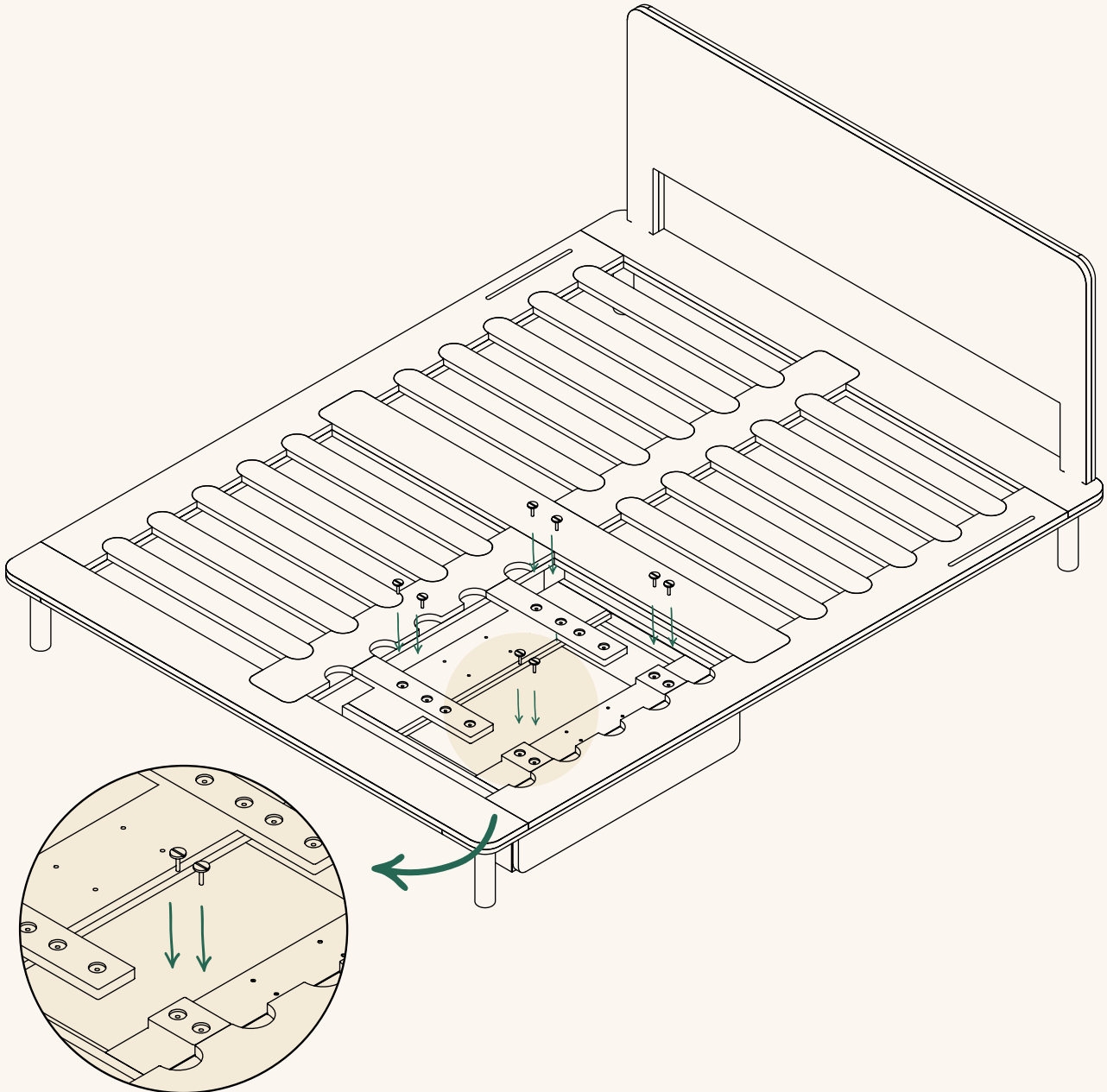
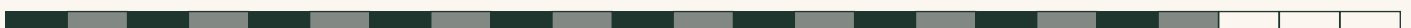
Tip: The Super King sized slats have SK1 and Q/K/SK2 engraved on them.

PROGRESS



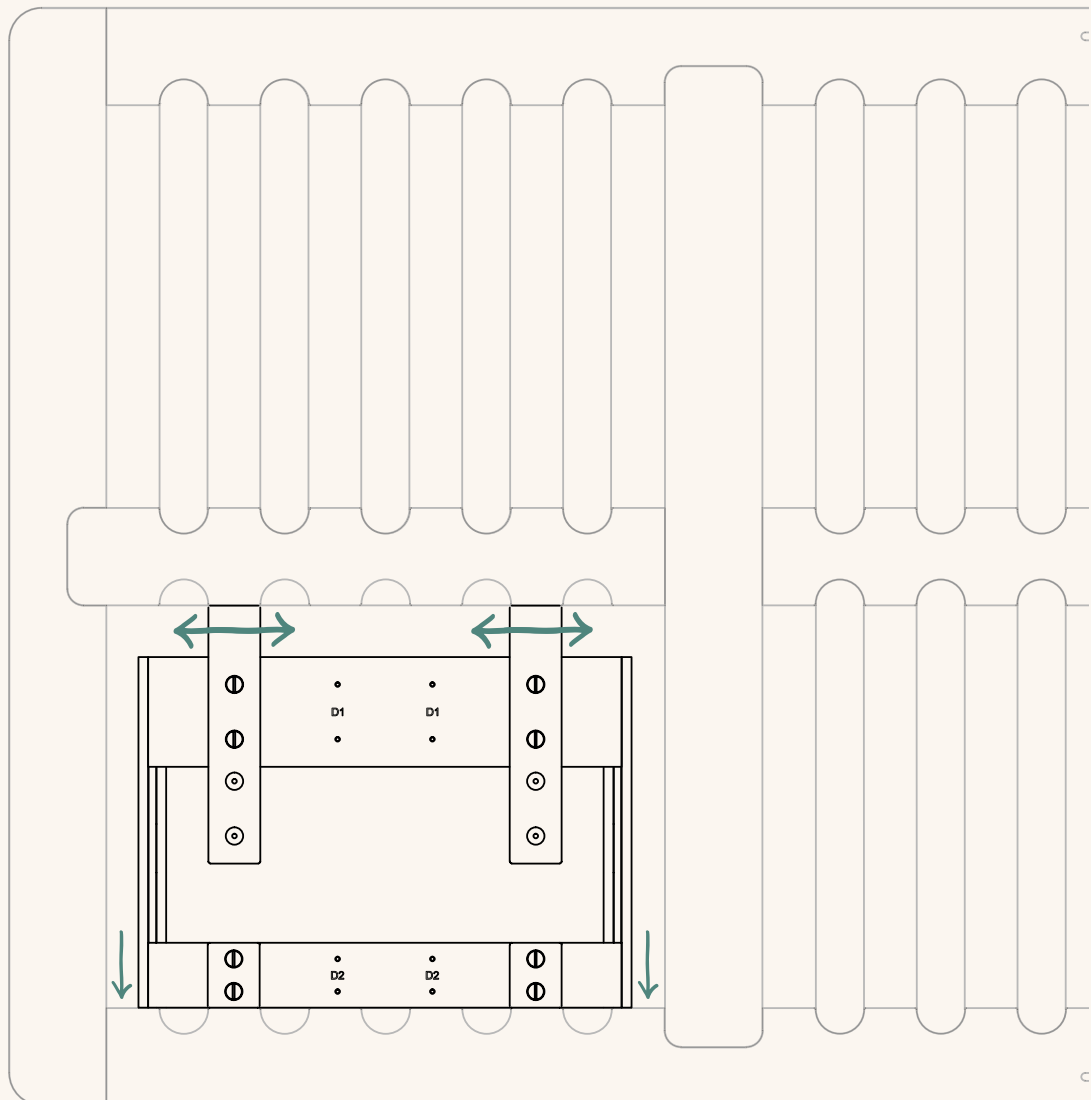
STEP 4

Use the coin screws to fix the slats into place.

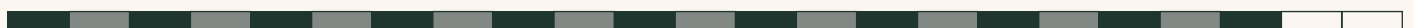
**PROGRESS**

STEP 5

Adjust your Kino Storage Drawer to fit between the bed slats and align flush with the side rail.

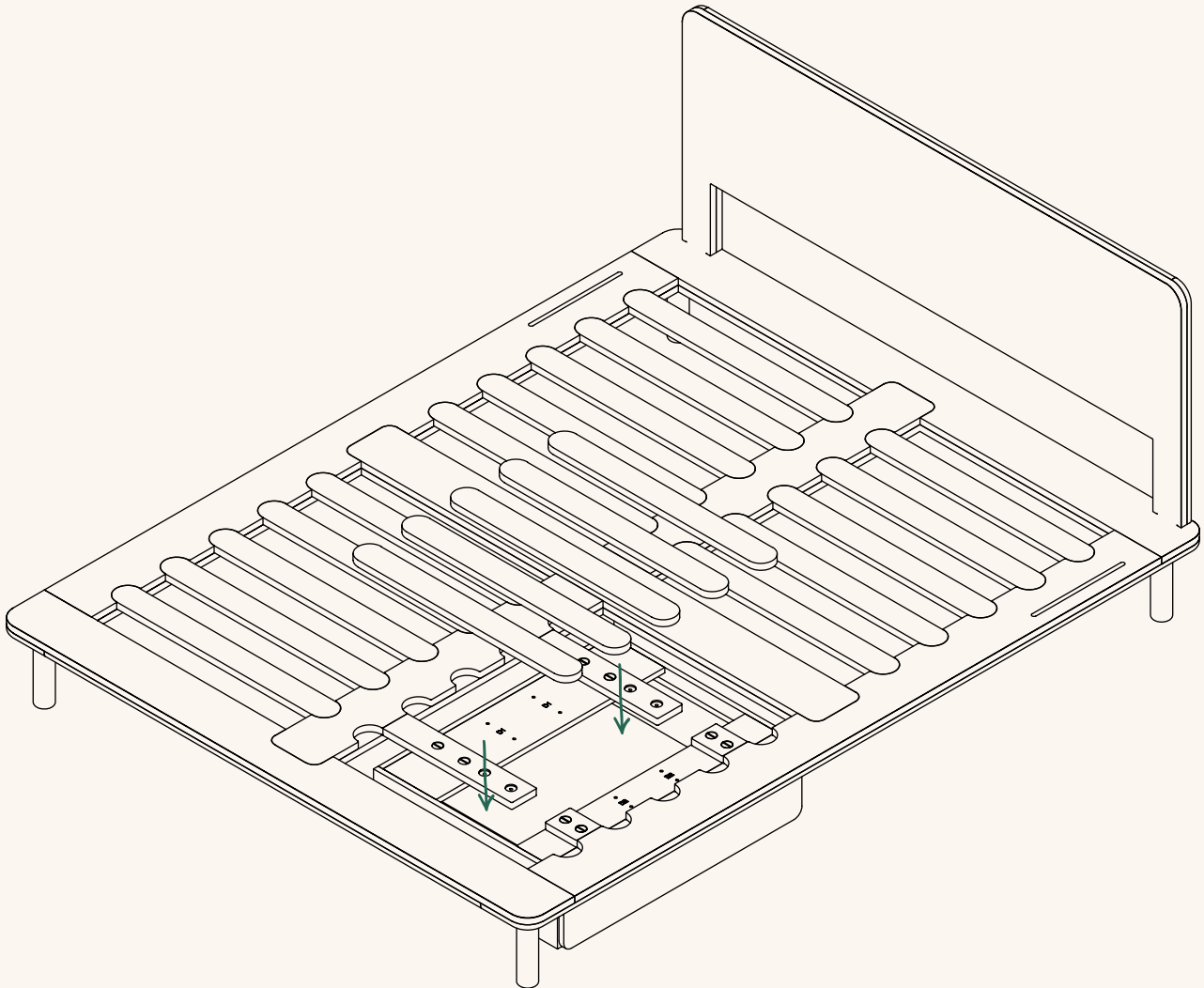
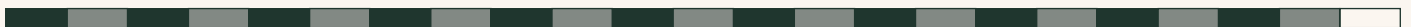


PROGRESS

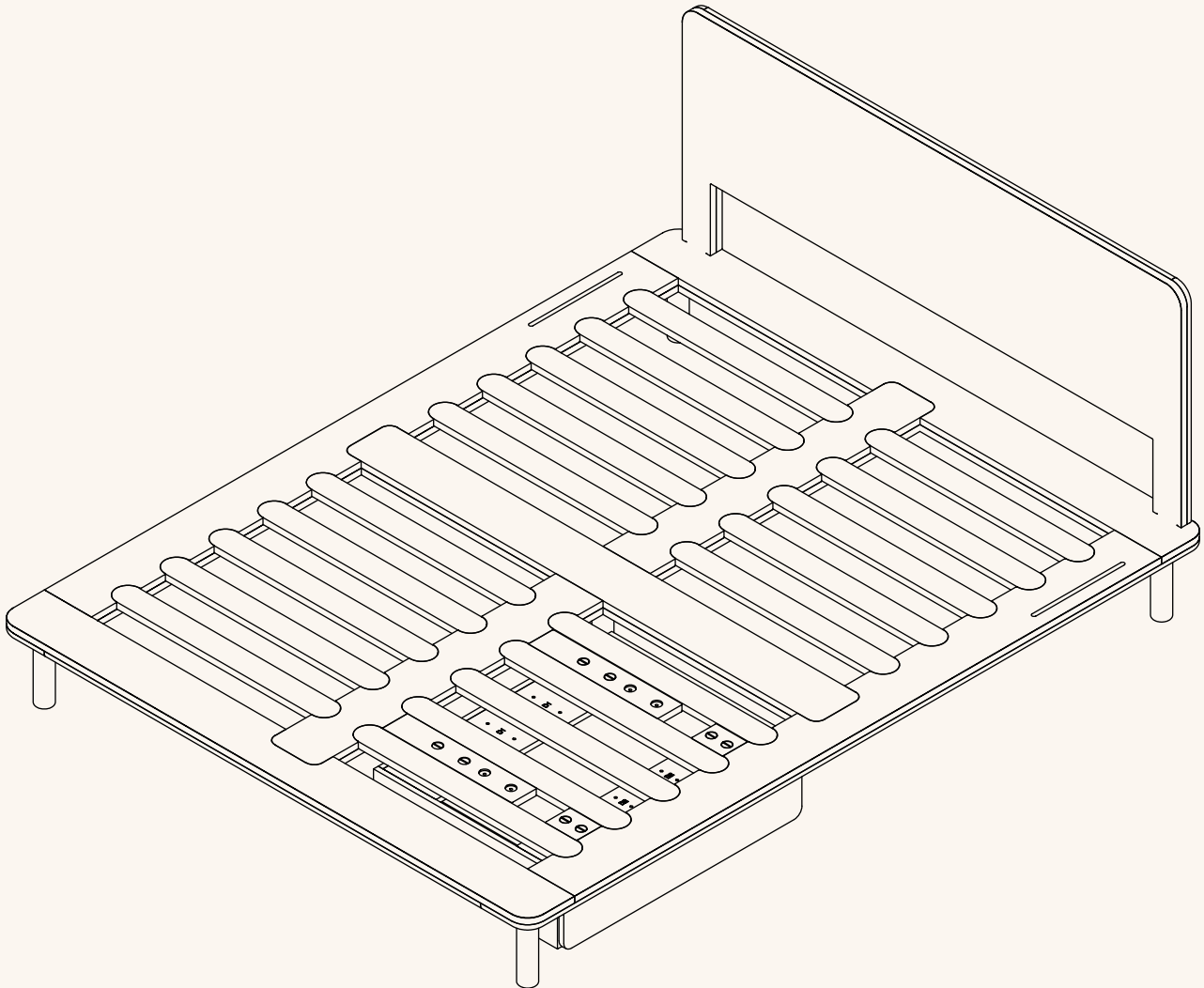


STEP 6

Place the slats that were removed earlier back onto the bed frame.

**PROGRESS**

All done! Repeat the previous steps if you have another Kino Storage Drawer to assemble.



Enjoy your Kino Storage Drawer!

PROGRESS

